

# Accessories of Pressure Gauge

## Model No. Gauge Protector



### SS-GP Series

#### Applications

Adjustable overpressure protectors are intended to protect pressure gauges against the effect of pressures exceeding their maximum pressure rating. Stainless steel version for corrosive pressure media, even in corrosive ambience. Process industry: mechanical engineering and plant construction, chemical/petro-chemical, power stations, mining, on- and offshore, environmental technology.

#### Special Features

- 7 different setting ranges selectable
- Minimum pressure to 10KPa (0.1 bar)
- Maximum pressure to 3625 psi (250 bar)
- Max. Static Pressure UP to 250 bar
- Vacuum safe

#### Description

The overpressure protector consists of a spring loaded piston valve. Under normal pressure conditions the spring holds the valve open. When the system pressure exceeds the set pressure, the force exerted by the spring is overcome and the valve closes. The valve will remain closed until the system pressure drops approximately 25% below the closing pressure, where-upon the force of the spring will open the valve.

#### To change pressure setting :

- ▶ Turn adjusting screw clockwise
  - Closing pressure higher
- ▶ Turn adjusting screw counter clockwise
  - Closing pressure lower
- ▶ Overpressure protectors must not be used as process control devices

#### Settings with factory mounting

- ▶ The protector is set to 1.1 x maximum scale value when ordered together with a KINS pressure gauge.

#### Standard Features

- ▶ Pressure Connection
  - 3/8" PF & 1/2" NPT male inlet, female outlet
  - 1/2" NPT to 1/4" NPT adaptors available
- ▶ Body
  - 316Ti stainless steel
- ▶ Piston Valve
  - 316Ti stainless steel
- ▶ O-Ring
  - FPM (Viton)
- ▶ Operating Temperature (Media)
  - 80 °C maximum

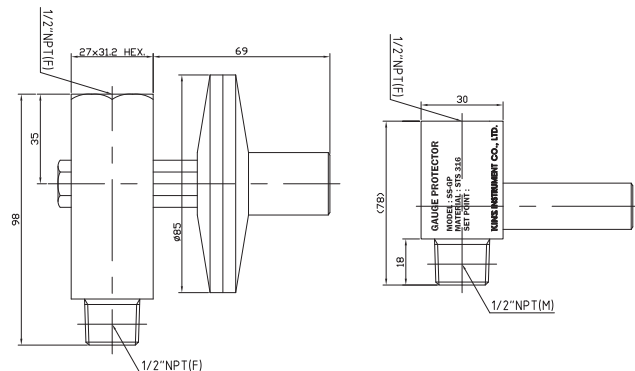
#### Optional Extras (by special order)

- Other connection thread on request
- Degreased, approved for oxygen service, only up to 60°C maximum
- Brass version
- Monel version
- Version according to Oxygen service

#### Selectable standard versions

|             |           |           |           |         |          |           |            |
|-------------|-----------|-----------|-----------|---------|----------|-----------|------------|
| Range(bar)  | 0,03~0,1  | 0,15~0,5  | 0,2 ~ 2,5 | 2 ~ 6   | 5 ~ 25   | 20 ~ 60   | 50 ~ 250   |
| Range(PSI)  | 0,43~1,45 | 2,17~7,25 | 3 ~ 35    | 30 ~ 85 | 85 ~ 365 | 290 ~ 870 | 725 ~ 3625 |
| Part number | SS-GP-1   | SS-GP-2   | SS-GP-3   | SS-GP-4 | SS-GP-5  | SS-GP-6   | SS-GP-7    |

#### Dimension- Standard versions(mm)

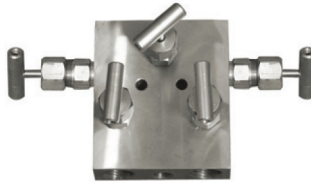


# Accessories of Pressure Gauge

## Model No. Manifold Valve Series



3-WAY VALVE



5-WAY VALVE

### Summary

Those accessories' performance and lifespan are dependent on selection of the gauge, correct installation and using method. Therefore, before installing a pressure gauge, it is important to select a proper accessory for the purpose of use. This manifold valve is to block fluid measurement temporarily when repairing, inspecting and fixing the pressure gauge. It is generally used in low pressure.

#### Purpose of Use

- When connecting valves and cocks
- In case of installing a pressure gauge in a panel
- When attaching to a main steam line

#### Production Specification

- ▶ Materials
  - Brass
  - Stainless Steel
- ▶ Connection

| Material | Valve  |
|----------|--------|
| STS      | NPT1/2 |

- ▶ Test Pressure
  - 25 MPa
- ▶ Maximum Working Pressure
  - 15 MPa
- ▶ Maximum Working Temperature
  - 200 °c

#### Product Specification

+ Body  
· Steel · · · STS 316

+ Joint  
· Steel · · · STS 316

+ Ring  
· Steel · · · STS 304

+ Stopper  
· Steel · · · STS 316

+ Washer  
· Steel · · · STS 316

+ Nut  
· Steel · · · SS41 (Ni-plating)

+ Gasket-Outlet  
· Steel · · · STS 316

+ Gasket-Inlet  
· Steel · · · Valqua 1500

Pressure Gauge  
Differential Pressure Gauge & Switch  
Accessories of Pressure Gauge  
Thermometer & Thermometer Switch  
Thermocouple & R.T.D  
Thermowell  
Pressure Transmitter  
Technical data

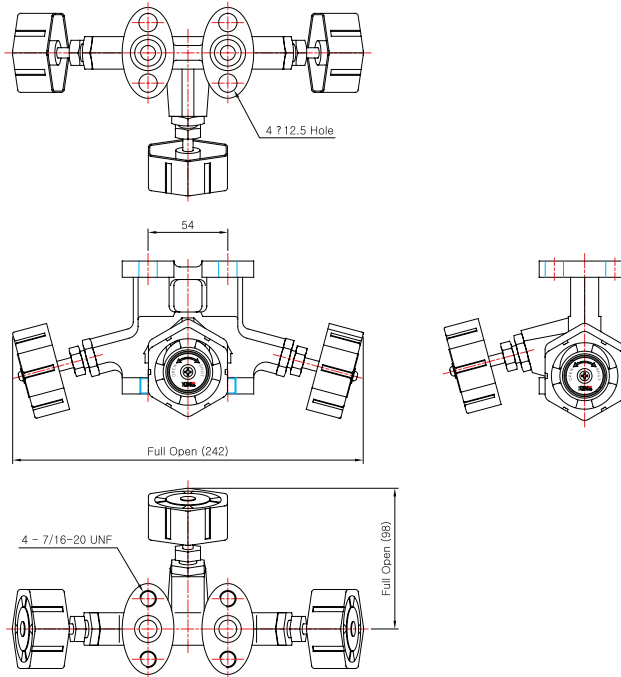
# Accessories of Pressure Gauge

## Model No. Manifold Valve Series

3-Way Equalizing Valve

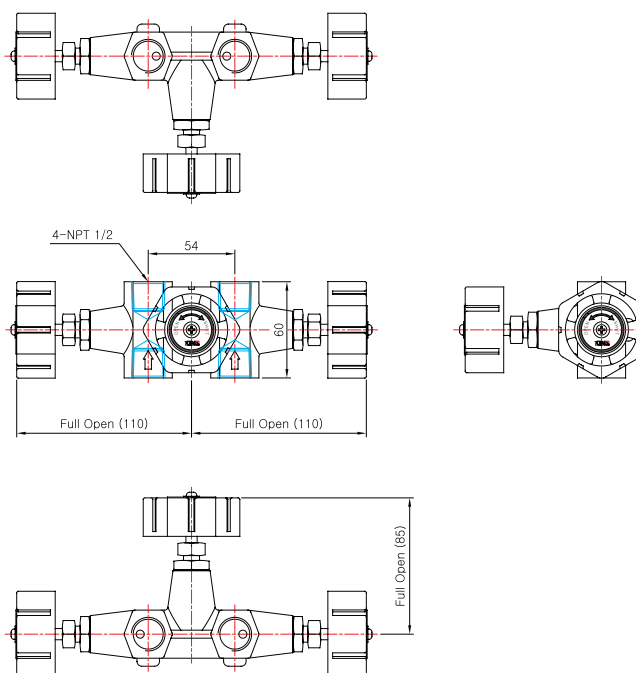
### Model No. | SS-3W3

3-WAY VALVE



### Model No. | SS-3W4

3-WAY VALVE



Pressure Gauge

Differential Pressure Gauge & Switch

Accessories of Pressure Gauge

Thermometer & Thermometer Switch

Thermocouple & R.T.D

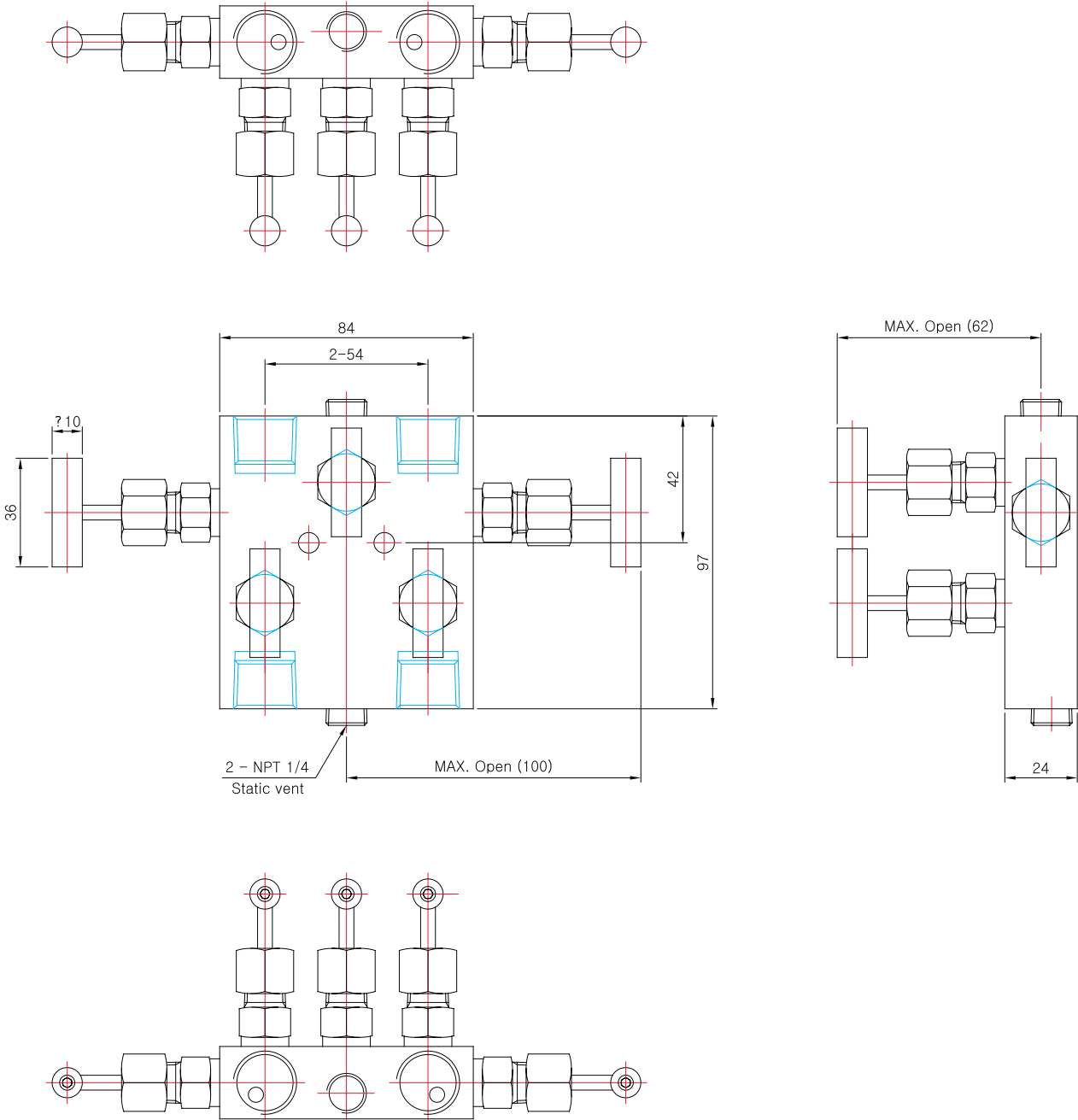
Thermowell

Transmitter

Indicator etc.

Technical data

### Model No. | SS-5W 5-WAY VALVE



- Pressure Gauge
- Differential Pressure Gauge & Switch
- Accessories of Pressure Gauge
- Thermometer & Thermometer Switch
- Thermocouple & R.T.D
- Thermowell
- Transmitter
- Indicator etc
- Technical data

# Accessories of Pressure Gauge

## Model No. SS-CS Coil Syphon Series



Coil Pipe Syphon



Coil Pipe Syphon

### Summary

Those accessories' performance and lifespan are dependent on selection of the gauge, correct installation and using method. Therefore, before installing a pressure gauge, it is important to select a proper accessory for purpose of use. Coil Pipe Syphon is used when measuring steam pressure or when the object to be measured is hot. It is very effective to prevent the damage occurred by affecting high temperature to the pressure gauge directly.

### Purpose of Use

- For protection against heat
- When measuring high temperature steam
- When attaching in the main steam line

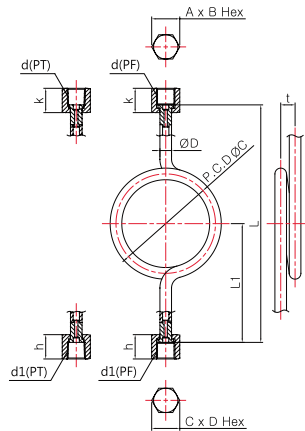
### Production Specification

- ▶ Materials
  - Steel (Ni-plating)
  - Stainless Steel
- ▶ Connection
- ▶ Test Pressure
  - 30 MPa
- ▶ Maximum Working Pressure
  - 20 MPa
- ▶ Maximum Working Temperature
  - 350 °C

### Product Specification

- |   |   |  |
|---|---|--|
| <ul style="list-style-type: none"> <li>+ Joint-Outlet                             <ul style="list-style-type: none"> <li>· Steel · · · SS41 (Ni-plating)</li> <li>· St, St · · · STS 316</li> </ul> </li> <li>+ Nipple-Pipe for connection                             <ul style="list-style-type: none"> <li>· Steel · · · SS41 (Ni-plating)</li> <li>· St, St · · · STS 316</li> </ul> </li> <li>+ Pipe                             <ul style="list-style-type: none"> <li>· Steel · · · STPG38(Ni-plating)</li> <li>· St, St · · · STS316TP</li> </ul> </li> </ul> | <ul style="list-style-type: none"> <li>+ Joint-Inlet                             <ul style="list-style-type: none"> <li>· Steel · · · SS41 (Ni-plating)</li> <li>· St, St · · · STS316</li> </ul> </li> <li>+ Type                             <ul style="list-style-type: none"> <li>· Female x Female</li> <li>· Female x Male</li> <li>· Male x Male</li> <li>· Female x Flange</li> <li>· Male x Flange</li> <li>· Flange x Flange</li> </ul> </li> </ul> <p>※ Single coil type, Double coil type, "L" Type can be custom-built</p> | <ul style="list-style-type: none"> <li>+ Cooling effect                             <ul style="list-style-type: none"> <li>· The cooling effect of Coil Pipe Syphon is dependent on pipe's diameter, length, thickness, temperature, etc.</li> </ul> </li> </ul> |
|---|---|--|

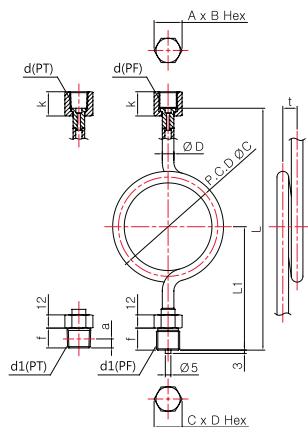
### Model No. | SS-CS01 Coil Syphon(Female x Female)



#### Dimensions (mm)

| Model No.           | Con'n(d)   | Con'n(d1)  | AxB Hex | CxD Hex | k  | h    | ØD   | ØC  | t  | L1  | L   |
|---------------------|------------|------------|---------|---------|----|------|------|-----|----|-----|-----|
| Coil Syphon (F)x(F) | PF(PT) 1/4 | PF(PT) 1/4 | 19x21.9 | 19x21.9 | 20 | 20   | 10,5 | 90  | 13 | 110 | 215 |
|                     | PF(PT) 1/4 | PF(PT) 3/8 |         | 22x25.4 | 20 | 22   |      |     |    |     |     |
|                     | PF(PT) 1/4 | PF(PT) 1/2 |         | 27x31.1 | 20 | 24   |      |     |    |     |     |
|                     | PF(PT) 3/8 | PF(PT) 1/4 | 22x25.4 | 19x21.9 | 22 | 20   |      |     |    |     |     |
|                     | PF(PT) 3/8 | PF(PT) 3/8 |         | 22x25.4 | 22 | 22   | 10,5 | 90  | 13 |     |     |
|                     | PF(PT) 3/8 | PF(PT) 1/2 | 27x31.1 | 27x31.1 | 22 | 24   | 17,3 | 115 | 20 |     |     |
|                     | PF(PT) 1/2 | PF(PT) 1/4 |         | 19x21.9 | 24 | 20   | 10,5 | 90  | 13 |     |     |
|                     | PF(PT) 1/2 | PF(PT) 3/8 |         | 22x25.4 | 24 | 22   | 10,5 | 90  | 13 |     |     |
|                     | PF(PT) 1/2 | PF(PT) 1/2 | 27x31.1 | 27x31.1 | 24 | 24   | 10,5 | 90  | 13 |     |     |
|                     | PF(PT) 1/2 | PF(PT) 1/2 |         |         | 24 | 22   | 17,3 | 115 | 20 |     |     |
|                     |            |            |         |         |    | 21,7 | 120  | 25  |    |     |     |

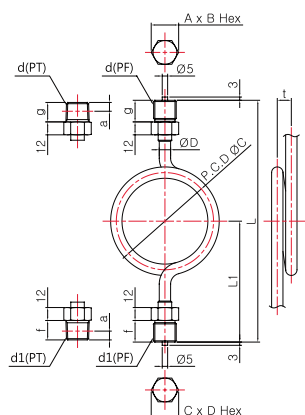
### Model No. | SS-CS02 Coil Syphon(Female x Male)



#### Dimensions (mm)

| Model No.           | Con'n(d)  | Con'n(d1) | AxB Hex | CxD Hex | k  | h  | ØD   | ØC  | t  | L1  | L   |     |     |
|---------------------|-----------|-----------|---------|---------|----|----|------|-----|----|-----|-----|-----|-----|
| Coil Syphon (F)x(M) | PF(PT)1/4 | PF(PT)1/4 | 19x21.9 | 17x21.9 | 20 | 16 | 10,5 | 90  | 13 | 108 | 203 |     |     |
|                     | PF(PT)1/4 | PF(PT)3/8 |         | 19x21.9 | 20 | 18 |      |     |    |     |     |     |     |
|                     | PF(PT)1/4 | PF(PT)1/2 |         | 22x25.4 | 20 | 20 |      |     |    |     |     |     |     |
|                     | PF(PT)3/8 | PF(PT)1/4 | 22x25.4 | 22x25.4 | 22 | 16 | 10,5 | 90  | 13 |     |     |     |     |
|                     | PF(PT)3/8 | PF(PT)3/8 |         |         | 22 | 18 | 17,3 | 115 | 20 |     |     |     |     |
|                     | PF(PT)3/8 | PF(PT)1/2 | 27x31.1 | 27x31.1 | 22 | 20 | 10,5 | 90  | 13 |     |     |     |     |
|                     | PF(PT)1/2 | PF(PT)1/4 |         |         | 24 | 16 |      |     |    |     |     | 108 | 213 |
|                     | PF(PT)1/2 | PF(PT)3/8 |         |         | 20 | 18 |      |     |    |     |     | 110 | 215 |
|                     | PF(PT)1/2 | PF(PT)1/2 | 27x31.1 | 27x31.1 | 24 | 20 | 17,3 | 115 | 20 |     |     |     |     |
|                     | PF(PT)1/2 | PF(PT)1/2 |         |         | 24 | 20 | 21,7 | 120 | 25 |     |     | 112 | 217 |

### Model No. | SS-CS03 Coil Syphon(Male x Male)



#### Dimensions (mm)

| Model No.           | Con'n(d)   | Con'n(d1)  | AxB Hex | CxD Hex | k  | h  | ØD   | ØC  | t  | L1  | L   |     |     |
|---------------------|------------|------------|---------|---------|----|----|------|-----|----|-----|-----|-----|-----|
| Coil Syphon (M)x(M) | PF(PT) 1/4 | PF(PT) 1/4 | 19x21.9 | 17x19,6 | 16 | 16 | 10,5 | 90  | 13 | 108 | 216 |     |     |
|                     | PF(PT) 1/4 | PF(PT) 3/8 |         | 19x21,9 | 18 | 18 |      |     |    |     |     |     |     |
|                     | PF(PT) 1/4 | PF(PT) 1/2 |         | 22x25,4 | 20 | 20 |      |     |    |     |     |     |     |
|                     | PF(PT) 3/8 | PF(PT) 1/4 | 22x25.4 | 22x25.4 | 16 | 16 | 10,5 | 90  | 13 |     |     |     |     |
|                     | PF(PT) 3/8 | PF(PT) 3/8 |         |         | 18 | 18 | 17,3 | 115 | 20 |     |     |     |     |
|                     | PF(PT) 3/8 | PF(PT) 1/2 | 27x31.1 | 27x31.1 | 20 | 20 | 10,5 | 90  | 13 |     |     |     |     |
|                     | PF(PT) 1/2 | PF(PT) 1/4 |         |         | 16 | 16 |      |     |    |     |     | 108 | 216 |
|                     | PF(PT) 1/2 | PF(PT) 3/8 |         |         | 18 | 18 |      |     |    |     |     | 110 | 220 |
|                     | PF(PT) 1/2 | PF(PT) 1/2 | 27x31.1 | 27x31.1 | 20 | 20 | 17,3 | 115 | 20 |     |     |     |     |
|                     | PF(PT) 1/2 | PF(PT) 1/2 |         |         | 20 | 20 | 21,7 | 120 | 25 |     |     | 112 | 224 |

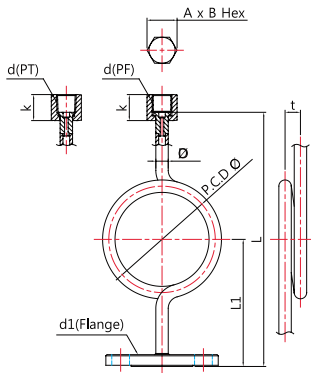
# Accessories of Pressure Gauge

## Model No. SS-CS Coil Syphon Series

### Model No. | SS-CS04 Coil Syphon(Female x Flange)

Dimensions (mm)

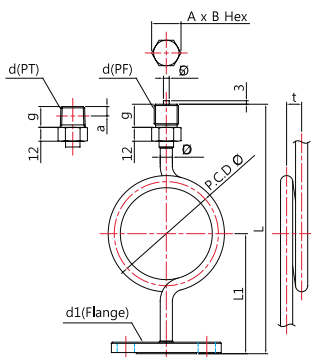
| Model No.   | Con'n(d)   | Con'n(d1) | AxB Hex   | k         | ØD   | ØC   | t  | L1  | L   |    |
|-------------|------------|-----------|-----------|-----------|------|------|----|-----|-----|----|
| Coil Syphon | PF(PT) 1/4 | JIS 10K   | 19 x 21,9 | 20        | 10,5 | 90   | 13 | 110 | 215 |    |
|             | PF(PT) 1/4 |           |           |           |      |      |    |     |     |    |
|             | PF(PT) 1/4 |           |           |           |      |      |    |     |     |    |
|             | PF(PT) 3/8 | JIS 20K   |           | 22 x 25,4 | 22   | 10,5 | 90 |     |     | 13 |
|             | PF(PT) 3/8 |           |           |           |      |      |    |     |     |    |
|             | PF(PT) 3/8 |           |           |           |      |      |    |     |     |    |
|             | PF(PT) 1/2 | ANSI #150 |           | 27 x 31,1 | 24   | 10,5 | 90 |     |     | 13 |
|             | PF(PT) 1/2 |           |           |           |      |      |    |     |     |    |
| PF(PT) 1/2  |            |           |           |           |      |      |    |     |     |    |
| PF(PT) 1/2  | ANSI #300  | 27 x 31,1 | 24        | 17,3      | 115  | 20   |    |     |     |    |
| PF(PT) 1/2  |            |           |           |           |      |      |    |     |     |    |
| PF(PT) 1/2  | ANSI #300  | 27 x 31,1 | 24        | 21,7      | 120  | 25   |    |     |     |    |



### Model No. | SS-CS05 Coil Syphon(Male x Flange)

Dimensions (mm)

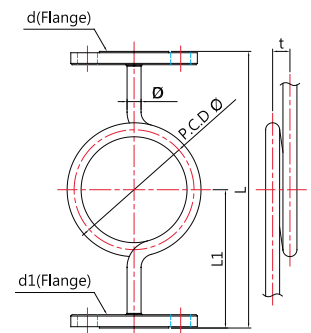
| Model No.   | Con'n(d)   | Con'n(d1) | AxB Hex   | k         | ØD   | ØC   | t  | L1  | L   |    |
|-------------|------------|-----------|-----------|-----------|------|------|----|-----|-----|----|
| Coil Syphon | PF(PT) 1/4 | JIS 10K   | 19 x 21,9 | 16        | 10,5 | 90   | 13 | 110 | 215 |    |
|             | PF(PT) 1/4 |           |           |           |      |      |    |     |     |    |
|             | PF(PT) 1/4 |           |           |           |      |      |    |     |     |    |
|             | PF(PT) 3/8 | JIS 20K   |           | 22 x 25,4 | 18   | 10,5 | 90 |     |     | 13 |
|             | PF(PT) 3/8 |           |           |           |      |      |    |     |     |    |
|             | PF(PT) 3/8 |           |           |           |      |      |    |     |     |    |
|             | PF(PT) 1/2 | ANSI #150 |           | 27 x 31,1 | 20   | 10,5 | 90 |     |     | 13 |
|             | PF(PT) 1/2 |           |           |           |      |      |    |     |     |    |
| PF(PT) 1/2  |            |           |           |           |      |      |    |     |     |    |
| PF(PT) 1/2  | ANSI #300  | 27 x 31,1 | 20        | 17,3      | 115  | 20   |    |     |     |    |
| PF(PT) 1/2  |            |           |           |           |      |      |    |     |     |    |
| PF(PT) 1/2  | ANSI #300  | 27 x 31,1 | 20        | 21,7      | 120  | 25   |    |     |     |    |



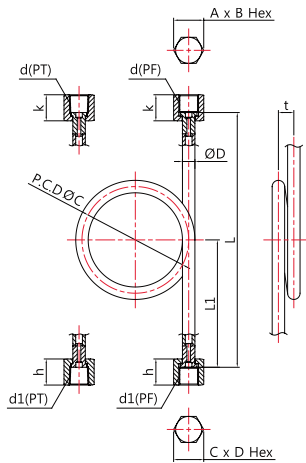
### Model No. | SS-CS06 Coil Syphon(Flange x Flange)

Dimensions (mm)

| Model No.   | Con'n(d)  | Con'n(d1) | ØD   | ØC  | t  | L1  | L   |
|-------------|-----------|-----------|------|-----|----|-----|-----|
| Coil Syphon | JIS 10K   | JIS 10K   | 10,5 | 90  | 13 |     |     |
|             | JIS 20K   | JIS 20K   | 17,3 | 115 | 20 | 110 | 215 |
|             | ANSI #150 | ANSI #150 |      |     |    |     |     |
|             | ANSI #300 | ANSI #300 | 21,7 | 120 | 25 |     |     |



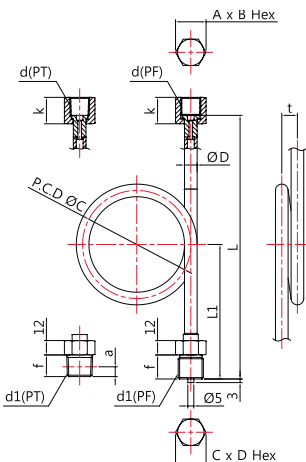
### Model No. | SS-CS07 Coil Syphon(Female x Female)



#### Dimensions (mm)

| Model No.           | Con'n(d)  | Con'n(d1) | AxB Hex | CxD Hex | k  | h  | ØD   | ØC  | t  | L1  | L   |
|---------------------|-----------|-----------|---------|---------|----|----|------|-----|----|-----|-----|
| Coil Syphon (F)x(F) | PF(PT)1/4 | PF(PT)1/4 | 19x21.9 | 19x21.9 | 20 | 20 | 10.5 | 90  | 13 | 110 | 215 |
|                     | PF(PT)1/4 | PF(PT)3/8 |         | 22x25.4 | 20 | 22 |      |     |    |     |     |
|                     | PF(PT)1/4 | PF(PT)1/2 |         | 27x31.1 | 20 | 24 |      |     |    |     |     |
|                     | PF(PT)3/8 | PF(PT)1/4 | 22x25.4 | 19x21.9 | 22 | 20 |      |     |    |     |     |
|                     | PF(PT)3/8 | PF(PT)3/8 |         | 22x25.4 | 22 | 22 | 10.5 | 90  | 13 |     |     |
|                     | PF(PT)3/8 | PF(PT)1/2 | 27x31.1 | 27x31.1 | 22 | 24 | 17.3 | 115 | 20 |     |     |
|                     | PF(PT)1/2 | PF(PT)1/4 |         | 19x21.9 | 24 | 20 | 10.5 | 90  | 13 |     |     |
|                     | PF(PT)1/2 | PF(PT)3/8 |         | 22x25.4 | 24 | 22 | 10.5 | 90  | 13 |     |     |
|                     | PF(PT)1/2 | PF(PT)1/2 | 27x31.1 | 27x31.1 | 24 | 24 | 10.5 | 90  | 13 |     |     |
|                     |           |           |         |         |    |    | 17.3 | 115 | 20 |     |     |
|                     |           | 21.7      |         |         |    |    | 120  | 25  |    |     |     |

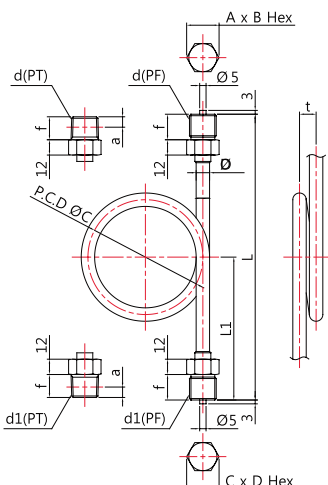
### Model No. | SS-CS08 Coil Syphon(Female x Male)



#### Dimensions (mm)

| Model No.           | Con'n(d)   | Con'n(d1)  | AxB Hex | CxD Hex | k  | h  | ØD   | ØC  | t  | L1   | L   |    |     |     |
|---------------------|------------|------------|---------|---------|----|----|------|-----|----|------|-----|----|-----|-----|
| Coil Syphon (F)x(M) | PF(PT) 1/4 | PF(PT) 1/4 | 19x21.9 | 17x21.9 | 20 | 16 | 10.5 | 90  | 13 | 108  | 203 |    |     |     |
|                     | PF(PT) 1/4 | PF(PT) 3/8 |         | 19x21.9 | 20 | 18 |      |     |    | 110  | 215 |    |     |     |
|                     | PF(PT) 1/4 | PF(PT) 1/2 |         | 22x25.4 | 20 | 20 |      |     |    | 112  | 217 |    |     |     |
|                     | PF(PT) 3/8 | PF(PT) 1/4 | 22x25.4 | 22x25.4 | 22 | 16 | 10.5 | 90  | 13 | 108  | 213 |    |     |     |
|                     | PF(PT) 3/8 | PF(PT) 3/8 |         |         | 22 | 18 | 17.3 | 115 | 20 | 110  | 215 |    |     |     |
|                     | PF(PT) 3/8 | PF(PT) 1/2 | 27x31.1 | 27x31.1 | 22 | 20 | 17.3 | 115 | 20 | 112  | 217 |    |     |     |
|                     | PF(PT) 1/2 | PF(PT) 1/4 |         |         | 24 | 16 |      |     |    | 10.5 | 90  | 13 | 108 | 213 |
|                     | PF(PT) 1/2 | PF(PT) 3/8 |         |         | 20 | 18 |      |     |    | 110  | 215 |    |     |     |
|                     | PF(PT) 1/2 | PF(PT) 1/2 | 27x31.1 | 27x31.1 | 24 | 20 | 17.3 | 115 | 20 | 110  | 215 |    |     |     |
|                     |            |            |         |         |    |    | 21.7 | 120 | 25 | 112  | 217 |    |     |     |

### Model No. | SS-CS09 Coil Syphon(Male x Male)



#### Dimensions (mm)

| Model No.           | Con'n(d)   | Con'n(d1)  | AxB Hex | CxD Hex | k  | h  | ØD   | ØC  | t  | L1   | L   |    |     |     |
|---------------------|------------|------------|---------|---------|----|----|------|-----|----|------|-----|----|-----|-----|
| Coil Syphon (M)x(M) | PF(PT) 1/4 | PF(PT) 1/4 | 19x21.9 | 17x19.6 | 16 | 16 | 10.5 | 90  | 13 | 108  | 216 |    |     |     |
|                     | PF(PT) 1/4 | PF(PT) 3/8 |         | 19x21.9 | 18 | 18 |      |     |    | 110  | 220 |    |     |     |
|                     | PF(PT) 1/4 | PF(PT) 1/2 |         | 22x25.4 | 20 | 20 |      |     |    | 112  | 224 |    |     |     |
|                     | PF(PT) 3/8 | PF(PT) 1/4 | 22x25.4 | 22x25.4 | 16 | 16 | 10.5 | 90  | 13 | 108  | 216 |    |     |     |
|                     | PF(PT) 3/8 | PF(PT) 3/8 |         |         | 18 | 18 | 17.3 | 115 | 20 | 110  | 220 |    |     |     |
|                     | PF(PT) 3/8 | PF(PT) 1/2 | 27x31.1 | 27x31.1 | 20 | 20 | 17.3 | 115 | 20 | 112  | 224 |    |     |     |
|                     | PF(PT) 1/2 | PF(PT) 1/4 |         |         | 16 | 16 |      |     |    | 10.5 | 90  | 13 | 108 | 216 |
|                     | PF(PT) 1/2 | PF(PT) 3/8 |         |         | 18 | 18 |      |     |    | 110  | 220 |    |     |     |
|                     | PF(PT) 1/2 | PF(PT) 1/2 | 27x31.1 | 27x31.1 | 20 | 20 | 17.3 | 115 | 20 | 112  | 224 |    |     |     |
|                     |            |            |         |         |    |    | 21.7 | 120 | 25 | 112  | 224 |    |     |     |



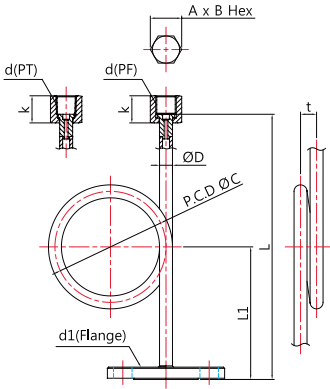
# Accessories of Pressure Gauge

## Model No. SS-CS Coil Syphon Series

### Model No. | SS-CS10 Coil Syphon(Female x Flange)

Dimensions (mm)

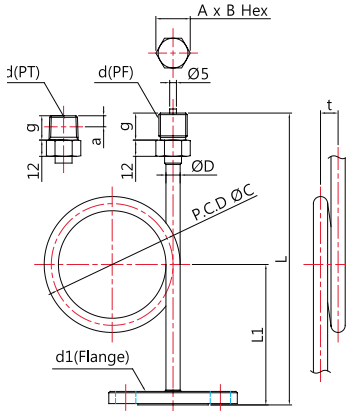
| Model No.   | Con'n(d)   | Con'n(d1) | AxB Hex   | k         | ØD   | ØC   | t  | L1  | L   |
|-------------|------------|-----------|-----------|-----------|------|------|----|-----|-----|
| Coil Syphon | PF(PT) 1/4 | JIS 10K   | 19 x 21,9 | 20        | 10,5 | 90   | 13 | 110 | 215 |
|             | PF(PT) 1/4 |           |           |           |      |      |    |     |     |
|             | PF(PT) 1/4 |           |           |           |      |      |    |     |     |
|             | PF(PT) 3/8 | JIS 20K   |           | 22        | 10,5 | 90   | 13 |     |     |
|             | PF(PT) 3/8 |           |           |           |      |      |    |     |     |
|             | PF(PT) 3/8 | ANSI #150 |           | 22        | 10,5 | 90   | 13 |     |     |
|             | PF(PT) 3/8 |           |           |           |      |      |    |     |     |
|             | PF(PT) 1/2 | ANSI #300 |           | 27 x 31,1 | 24   | 10,5 | 90 |     |     |
| PF(PT) 1/2  |            |           |           |           |      |      |    |     |     |
| PF(PT) 1/2  |            |           |           |           |      |      |    |     |     |



### Model No. | SS-CS11 Coil Syphon(Male x Flange)

Dimensions (mm)

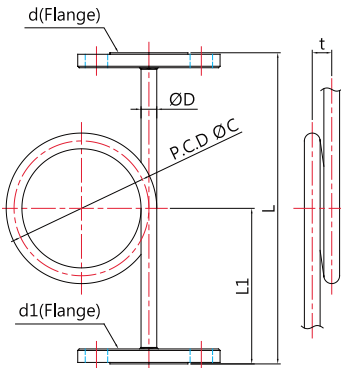
| Model No.   | Con'n(d)   | Con'n(d1) | AxB Hex   | k         | ØD   | ØC   | t  | L1  | L   |
|-------------|------------|-----------|-----------|-----------|------|------|----|-----|-----|
| Coil Syphon | PF(PT) 1/4 | JIS 10K   | 19 x 21,9 | 16        | 10,5 | 90   | 13 | 110 | 215 |
|             | PF(PT) 1/4 |           |           |           |      |      |    |     |     |
|             | PF(PT) 1/4 |           |           |           |      |      |    |     |     |
|             | PF(PT) 3/8 | JIS 20K   |           | 18        | 10,5 | 90   | 13 |     |     |
|             | PF(PT) 3/8 |           |           |           |      |      |    |     |     |
|             | PF(PT) 3/8 | ANSI #150 |           | 18        | 10,5 | 90   | 13 |     |     |
|             | PF(PT) 3/8 |           |           |           |      |      |    |     |     |
|             | PF(PT) 1/2 | ANSI #300 |           | 27 x 31,1 | 20   | 10,5 | 90 |     |     |
| PF(PT) 1/2  |            |           |           |           |      |      |    |     |     |
| PF(PT) 1/2  |            |           |           |           |      |      |    |     |     |



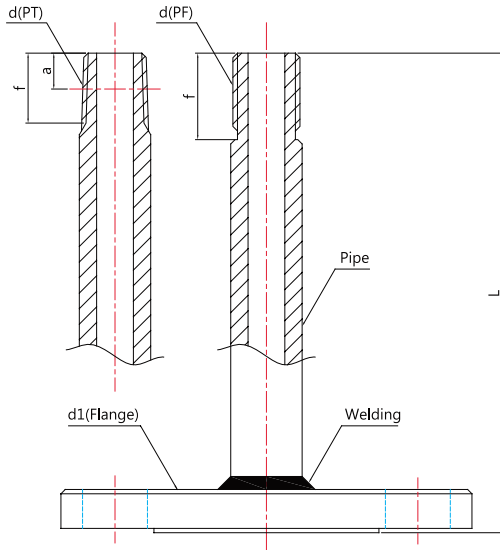
### Model No. | SS-CS12 Coil Syphon(Flange x Flange)

Dimensions (mm)

| Model No.   | Con'n(d)  | Con'n(d1) | ØD   | ØC  | t  | L1  | L   |
|-------------|-----------|-----------|------|-----|----|-----|-----|
| Coil Syphon | JIS 10K   | JIS 10K   | 10,5 | 90  | 13 | 110 | 215 |
|             | JIS 20K   | JIS 20K   |      |     |    |     |     |
|             | ANSI #150 | ANSI #150 | 17,3 | 115 | 20 |     |     |
|             | ANSI #300 | ANSI #300 |      |     |    |     |     |



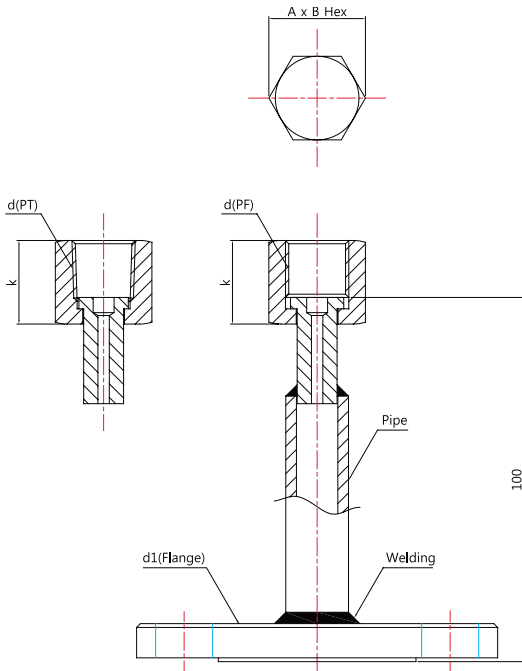
### Model No. | SS-IS01 | I TYPE SYPHON (Male)



#### Dimensions (mm)

| Model No.     | Con'n(d) | Con'n(d1) | AxBHex    | k  |
|---------------|----------|-----------|-----------|----|
| I Type Syphon | PF 3/8   | JIS 10K   | 22 x 25,4 | 22 |
|               | PT 3/8   | JIS 20K   |           | 22 |
|               | PF 1/2   | ANSI #150 | 27 x 31,1 | 24 |
|               | PT 1/2   | ANSI #300 |           | 24 |

### Model No. | SS-IS02 | I TYPE SYPHON (Female)



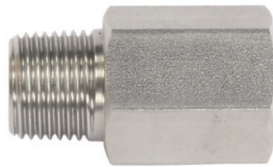
#### Dimensions (mm)

| Model No.     | Con'n(d) | Con'n(d1) | AxBHex    | f  | a    | L   |
|---------------|----------|-----------|-----------|----|------|-----|
| I Type Syphon | PF 3/8   | JIS 10K   | 22 x 25,4 | 22 | -    | 98  |
|               | PT 3/8   | JIS 20K   |           | 22 | 6,35 | 96  |
|               | PF 1/2   | ANSI #150 | 27 x 31,1 | 24 | -    | 100 |
|               | PT 1/2   | ANSI #300 |           | 24 | 8,16 | 98  |

- Pressure Gauge
- Differential Pressure Gauge & Switch
- Accessories of Pressure Gauge
- Thermometer & Thermometer Switch
- Thermocouple & R.T.D
- Thermowell
- Transmitter
- Indicator etc
- Technical data

# Accessories of Pressure Gauge

## Model No. SS-SB Snubber Series



Snubber

### Summary

Those accessories' performance and lifespan are dependent on selection of the gauge, correct installation and using method. Therefore, before installing a pressure gauge, it is important to select a proper accessory for purpose of use. Snubber is used for a filter or a shock absorber because it includes a breathable metal disc.

It can suppress the effect of pressure pulsation, and due to its appearance of big filter, there is less blockage than orifice type, and it can filter tetrachloride, benzene and naphtha.

### Purpose of Use

- Filter for water and oil
- Recycle industrial waste water

### Production Specification

- ▶ Materials
  - Brass
  - Stainless Steel
- ▶ Connection

| Material  | Gauge  | Pipe   |
|-----------|--------|--------|
| BS<br>STS | PF 1/4 | PF 1/4 |
|           | PF 3/8 | PF 3/8 |
|           | PF 1/2 | PF 1/2 |

- ▶ Test Pressure
  - 30 MPa
- ▶ Maximum Working Pressure
  - 20 MPa
- ▶ Maximum Working Temperature
  - 200 °C

### Product Specification

- + Joint-Outlet
  - Brass · · · YBSC
  - Steel · · · STS 316

- + Stopper
  - Brass · · · YBSC
  - Steel · · · STS 316

- + Gasket-Outlet
  - Brass · · · CuB
  - Steel · · · STS 316

- + Joint-Inlet
  - Brass · · · SS41 (Ni-plating)
  - Steel · · · STS 316

- + Gasket-Inlet
  - Brass, Steel · · · Valqua 1500

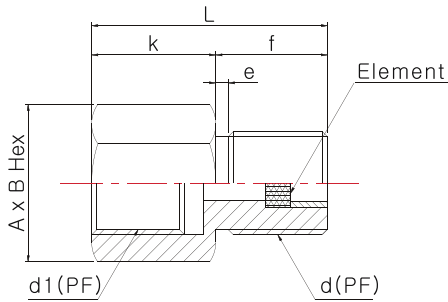
- + Ring
  - Brass, Steel · · · STS 304

- + Nut
  - Brass, Steel · · · SS41 (Ni-plating)

- + Type
  - PF(Male) x PF(Male)
  - PF(Male) x PT(Female)
  - PT(Female) x PF(Male)
  - PT(Female) x PT(Female)

### Model No. | SS-SB01 Snubber (PF x PF)

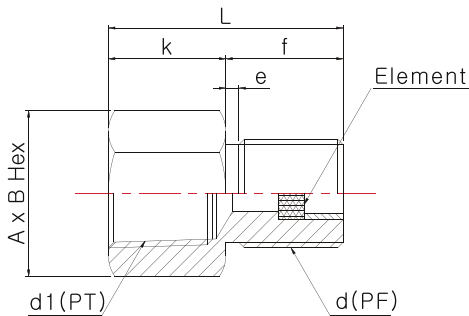
Dimensions (mm)



| Model No.       | Con'n(d1) | Con'n(d)  | AxB Hex   | k  | f  | L  | e |
|-----------------|-----------|-----------|-----------|----|----|----|---|
| Snubber (PFxPF) | PF 1/4    | PF 1/4    | 19 x 21,9 | 18 | 16 | 34 | 2 |
|                 | PF 1/4    | PF 3/8    | 19 x 21,9 | 18 | 18 | 36 | 2 |
|                 | PF 1/4    | PF 1/2    | 22 x 25,4 | 18 | 20 | 38 | 2 |
|                 | PF 3/8    | PF 1/4    | 22 x 25,4 | 20 | 16 | 36 | 2 |
|                 | PF 3/8    | PF 3/8    | 22 x 25,4 | 20 | 18 | 38 | 2 |
|                 | PF 3/8    | PF 1/2    | 22 x 25,4 | 20 | 20 | 40 | 2 |
|                 | PF 1/2    | PF 1/4    | 27 x 31,1 | 22 | 16 | 38 | 2 |
|                 | PF 1/2    | PF 3/8    | 27 x 31,1 | 22 | 18 | 40 | 2 |
| PF 1/2          | PF 1/2    | 27 x 31,1 | 22        | 20 | 42 | 2  |   |

### Model No. | SS-SB02 Snubber (PT x PF)

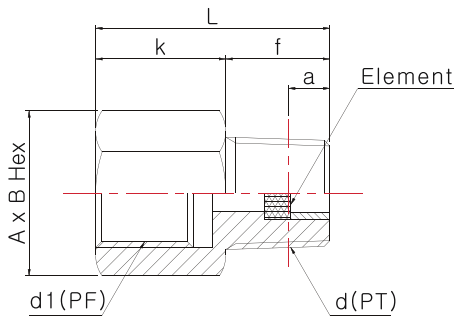
Dimensions (mm)



| Model No.       | Con'n(d1) | Con'n(d)  | AxB Hex   | k  | f  | L    | a    |
|-----------------|-----------|-----------|-----------|----|----|------|------|
| Snubber (PTxPF) | PT 1/4    | PF 1/4    | 19 x 21,9 | 18 | 14 | 32   | 6,01 |
|                 | PT 1/4    | PF 3/8    | 19 x 21,9 | 18 | 16 | 34   | 6,35 |
|                 | PT 1/4    | PF 1/2    | 22 x 25,4 | 18 | 18 | 36   | 8,16 |
|                 | PT 3/8    | PF 1/4    | 22 x 25,4 | 20 | 14 | 34   | 6,01 |
|                 | PT 3/8    | PF 3/8    | 22 x 25,4 | 20 | 16 | 36   | 6,35 |
|                 | PT 3/8    | PF 1/2    | 22 x 25,4 | 20 | 18 | 36   | 8,16 |
|                 | PT 1/2    | PF 1/4    | 27 x 31,1 | 22 | 14 | 36   | 6,01 |
|                 | PT 1/2    | PF 3/8    | 27 x 31,1 | 22 | 16 | 38   | 6,35 |
| PT 1/2          | PF 1/2    | 27 x 31,1 | 22        | 18 | 40 | 8,16 |      |

### Model No. | SS-SB03 Snubber (PF x PT)

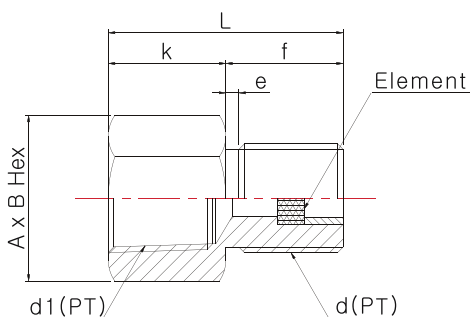
Dimensions (mm)



| Model No.       | Con'n(d1) | Con'n(d) | AxB Hex   | k  | f  | L  | e |
|-----------------|-----------|----------|-----------|----|----|----|---|
| Snubber (PFxPT) | PF 1/4    | PT 1/4   | 19 x 21,9 | 16 | 16 | 32 | 2 |
|                 | PF 1/4    | PT 3/8   | 19 x 21,9 | 16 | 16 | 34 | 2 |
|                 | PF 1/4    | PT 1/2   | 22 x 25,4 | 16 | 16 | 36 | 2 |
|                 | PF 3/8    | PT 1/4   | 22 x 25,4 | 18 | 18 | 34 | 2 |
|                 | PF 3/8    | PT 3/8   | 22 x 25,4 | 18 | 18 | 36 | 2 |
|                 | PF 3/8    | PT 1/2   | 22 x 25,4 | 18 | 18 | 38 | 2 |
|                 | PF 1/2    | PT 1/4   | 27 x 31,1 | 20 | 20 | 36 | 2 |
|                 | PF 1/2    | PT 3/8   | 27 x 31,1 | 20 | 20 | 38 | 2 |
|                 | PF 1/2    | PT 1/2   | 27 x 31,1 | 20 | 20 | 40 | 2 |

### Model No. | SS-SB04 Snubber (PT x PT)

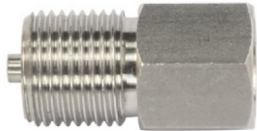
Dimensions (mm)



| Model No.       | Con'n(d1) | Con'n(d) | AxB Hex   | k  | f  | L  | e    |
|-----------------|-----------|----------|-----------|----|----|----|------|
| Snubber (PTxPT) | PT 1/4    | PT1/4    | 19 x 21,9 | 16 | 14 | 30 | 6,01 |
|                 | PT 1/4    | PT3/8    | 19 x 21,9 | 16 | 16 | 32 | 6,35 |
|                 | PT 1/4    | PT1/2    | 22 x 25,4 | 16 | 18 | 34 | 8,16 |
|                 | PT 3/8    | PT1/4    | 22 x 25,4 | 18 | 18 | 32 | 6,01 |
|                 | PT 3/8    | PT3/8    | 22 x 25,4 | 18 | 18 | 34 | 6,35 |
|                 | PT 3/8    | PT1/2    | 22 x 25,4 | 18 | 18 | 36 | 8,16 |
|                 | PT 1/2    | PT1/4    | 27 x 31,1 | 20 | 20 | 34 | 6,01 |
|                 | PT 1/2    | PT3/8    | 27 x 31,1 | 20 | 20 | 36 | 6,35 |
|                 | PT 1/2    | PT1/2    | 27 x 31,1 | 20 | 20 | 38 | 8,16 |

# Accessories of Pressure Gauge

## Model No. Adapter & Union Gauge



Adapter



Union Gauge

### Summary

This union can be used as a screw which has a different type or diameter, or can be used for pipe connection. There exist many kinds up to the size and the usage. It also can be used for connecting when the standard of screw of running side and accessory side are different. Those accessories' performance and lifespan are dependent on selection of the gauge, correct installation and using method. Therefore, before installing a pressure gauge, it is important to select a proper accessory for purpose of use.

### Purpose of Use

- For the connection of different types of screw, screw with different inclination and for pipe
- When installing a pressure gauge in a panel
- Connecting with pressure piping

### Production Specification

- ▶ Materials
  - Brass
  - Steel (Ni-plating)
  - Stainless Steel
- ▶ Connection

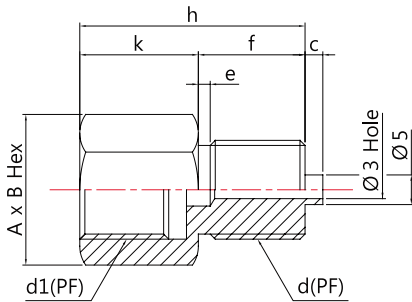
| Material | Gauge         | Pipe                  |
|----------|---------------|-----------------------|
| BS       | PF · PT       | PF · PT 1/4, 3/8, 1/2 |
| STS      | 1/4, 3/8, 1/2 | For pipe connection   |

### Product Specification

- + Body
  - Brass · · · BSBM
  - Steel · · · STS 316
- + Gasket-Inlet
  - Brass · · · Teflon
  - Steel · · · Teflon
- + Washer
  - Brass · · · BSBM
  - St, St · · · STS 316

### Model No. | SS-AD01 Adapter (Female x Male)

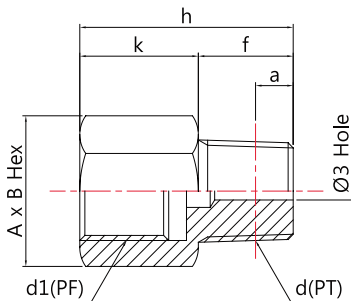
Dimensions (mm)



| Model No.       | Con'n(d1) | Con'n(d)  | AxB Hex   | k  | f  | L  | e |
|-----------------|-----------|-----------|-----------|----|----|----|---|
| Adapter (PFxPF) | PF 1/4    | PF 1/4    | 19 x 21.9 | 18 | 16 | 34 | 2 |
|                 | PF 1/4    | PF 3/8    | 19 x 21.9 | 18 | 18 | 36 | 2 |
|                 | PF 1/4    | PF 1/2    | 22 x 25.4 | 18 | 20 | 38 | 2 |
|                 | PF 3/8    | PF 1/4    | 22 x 25.4 | 20 | 16 | 36 | 2 |
|                 | PF 3/8    | PF 3/8    | 22 x 25.4 | 20 | 18 | 38 | 2 |
|                 | PF 3/8    | PF 1/2    | 22 x 25.4 | 20 | 20 | 40 | 2 |
|                 | PF 1/2    | PF 1/4    | 27 x 31.1 | 22 | 16 | 38 | 2 |
|                 | PF 1/2    | PF 3/8    | 27 x 31.1 | 22 | 18 | 40 | 2 |
| PF 1/2          | PF 1/2    | 27 x 31.1 | 22        | 20 | 42 | 2  |   |

### Model No. | SS-AD02 Adapter (Female x Male)

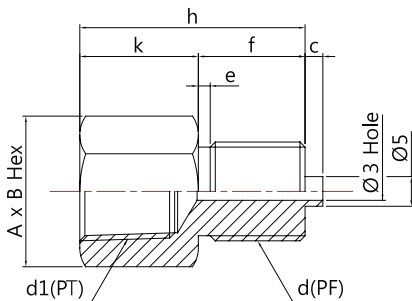
Dimensions (mm)



| Model No.       | Con'n(d1) | Con'n(d)  | AxB Hex   | k  | f  | L    | a    |
|-----------------|-----------|-----------|-----------|----|----|------|------|
| Adapter (PFxPT) | PF 1/4    | PT 1/4    | 19 x 21.9 | 18 | 14 | 32   | 6.01 |
|                 | PF 1/4    | PT 3/8    | 19 x 21.9 | 18 | 16 | 34   | 6.35 |
|                 | PF 1/4    | PT 1/2    | 22 x 25.4 | 18 | 18 | 36   | 8.16 |
|                 | PF 3/8    | PT 1/4    | 22 x 25.4 | 20 | 14 | 34   | 6.01 |
|                 | PF 3/8    | PT 3/8    | 22 x 25.4 | 20 | 16 | 36   | 6.35 |
|                 | PF 3/8    | PT 1/2    | 22 x 25.4 | 20 | 18 | 36   | 8.16 |
|                 | PF 1/2    | PT 1/4    | 27 x 31.1 | 22 | 14 | 36   | 6.01 |
|                 | PF 1/2    | PT 3/8    | 27 x 31.1 | 22 | 16 | 38   | 6.35 |
| PF 1/2          | PT 1/2    | 27 x 31.1 | 22        | 18 | 40 | 8.16 |      |

### Model No. | SS-AD03 Adapter (Female x Male)

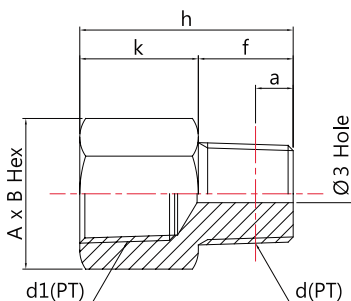
Dimensions (mm)



| Model No.       | Con'n(d1) | Con'n(d) | AxB Hex   | k  | f  | L  | e |
|-----------------|-----------|----------|-----------|----|----|----|---|
| Adapter (PTxPF) | PT 1/4    | PF 1/4   | 19 x 21.9 | 16 | 16 | 32 | 2 |
|                 | PT 1/4    | PF 3/8   | 19 x 21.9 | 16 | 16 | 34 | 2 |
|                 | PT 1/4    | PF 1/2   | 22 x 25.4 | 16 | 16 | 36 | 2 |
|                 | PT 3/8    | PF 1/4   | 22 x 25.4 | 18 | 18 | 34 | 2 |
|                 | PT 3/8    | PF 3/8   | 22 x 25.4 | 18 | 18 | 36 | 2 |
|                 | PT 3/8    | PF 1/2   | 22 x 25.4 | 18 | 18 | 38 | 2 |
|                 | PT 1/2    | PF 1/4   | 27 x 31.1 | 20 | 20 | 36 | 2 |
|                 | PT 1/2    | PF 3/8   | 27 x 31.1 | 20 | 20 | 38 | 2 |
|                 | PT 1/2    | PF 1/2   | 27 x 31.1 | 20 | 20 | 40 | 2 |

### Model No. | SS-AD04 Adapter (Female x Male)

Dimensions (mm)

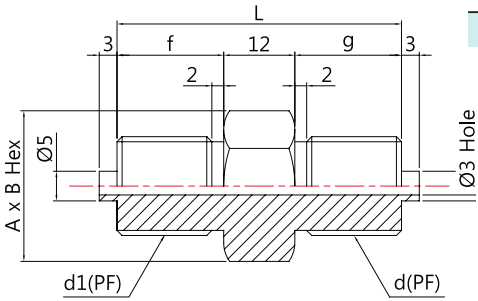


| Model No.       | Con'n(d1) | Con'n(d) | AxB Hex   | k  | f  | L  | e    |
|-----------------|-----------|----------|-----------|----|----|----|------|
| Adapter (PTxPT) | PT 1/4    | PT 1/4   | 19 x 21.9 | 16 | 14 | 30 | 6.01 |
|                 | PT 1/4    | PT 3/8   | 19 x 21.9 | 16 | 16 | 32 | 6.35 |
|                 | PT 1/4    | PT 1/2   | 22 x 25.4 | 16 | 18 | 34 | 8.16 |
|                 | PT 3/8    | PT 1/4   | 22 x 25.4 | 18 | 18 | 32 | 6.01 |
|                 | PT 3/8    | PT 3/8   | 22 x 25.4 | 18 | 18 | 34 | 6.35 |
|                 | PT 3/8    | PT 1/2   | 22 x 25.4 | 18 | 18 | 36 | 8.16 |
|                 | PT 1/2    | PT 1/4   | 27 x 31.1 | 20 | 20 | 34 | 6.01 |
|                 | PT 1/2    | PT 3/8   | 27 x 31.1 | 20 | 20 | 36 | 6.35 |
|                 | PT 1/2    | PT 1/2   | 27 x 31.1 | 20 | 20 | 38 | 8.16 |

# Accessories of Pressure Gauge

## Model No. Adapter & Union Gauge

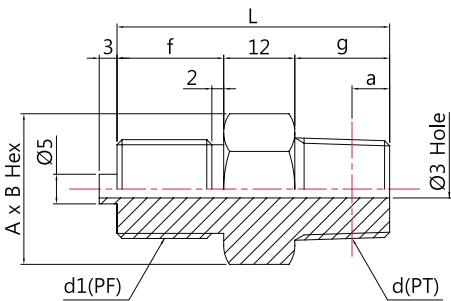
### Model No. | SS-AD05 Adapter (Male x Male)



Dimensions (mm)

| Model No.       | Con'n(d1) | Con'n(d) | AxB Hex   | k  | f  | L  | e | e1 |
|-----------------|-----------|----------|-----------|----|----|----|---|----|
| Adapter (PFxPF) | PF 1/4    | PF 1/4   | 19 x 21.9 | 16 | 16 | 44 | 2 | 2  |
|                 | PF 1/4    | PF 3/8   | 19 x 21.9 | 16 | 18 | 46 | 2 | 2  |
|                 | PF 1/4    | PF 1/2   | 22 x 25.4 | 16 | 20 | 48 | 2 | 2  |
|                 | PF 3/8    | PF 1/4   | 22 x 25.4 | 18 | 16 | 46 | 2 | 2  |
|                 | PF 3/8    | PF 3/8   | 22 x 25.4 | 18 | 18 | 48 | 2 | 2  |
|                 | PF 3/8    | PF 1/2   | 22 x 25.4 | 18 | 20 | 50 | 2 | 2  |
|                 | PF 1/2    | PF 1/4   | 27 x 31.1 | 20 | 16 | 48 | 2 | 2  |
|                 | PF 1/2    | PF 3/8   | 27 x 31.1 | 20 | 18 | 50 | 2 | 2  |
|                 | PF 1/2    | PF 1/2   | 27 x 31.1 | 20 | 20 | 52 | 2 | 2  |

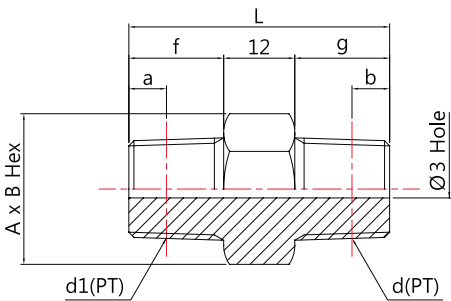
### Model No. | SS-AD06 Adapter (Male x Male)



Dimensions (mm)

| Model No.       | Con'n(d1) | Con'n(d) | AxB Hex   | k  | f  | L  | e | a    |
|-----------------|-----------|----------|-----------|----|----|----|---|------|
| Adapter (PFxPT) | PF 1/4    | PT 1/4   | 19 x 21.9 | 16 | 14 | 42 | 2 | 6.01 |
|                 | PF 1/4    | PT 3/8   | 19 x 21.9 | 16 | 16 | 44 | 2 | 6.35 |
|                 | PF 1/4    | PT 1/2   | 22 x 25.4 | 16 | 18 | 46 | 2 | 8.16 |
|                 | PF 3/8    | PT 1/4   | 22 x 25.4 | 18 | 14 | 44 | 2 | 6.01 |
|                 | PF 3/8    | PT 3/8   | 22 x 25.4 | 18 | 16 | 46 | 2 | 6.35 |
|                 | PF 3/8    | PT 1/2   | 22 x 25.4 | 18 | 18 | 48 | 2 | 8.16 |
|                 | PF 1/2    | PT 1/4   | 27 x 31.1 | 20 | 14 | 46 | 2 | 6.01 |
|                 | PF 1/2    | PT 3/8   | 27 x 31.1 | 20 | 16 | 48 | 2 | 6.35 |
|                 | PF 1/2    | PT 1/2   | 27 x 31.1 | 20 | 18 | 50 | 2 | 8.16 |

### Model No. | SS-AD07 Adapter (Male x Male)

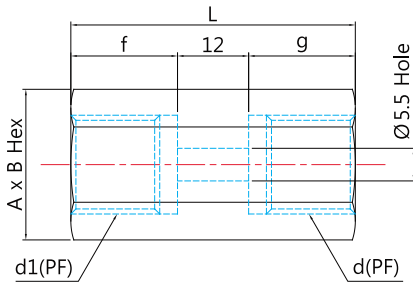


Dimensions (mm)

| Model No.       | Con'n(d1) | Con'n(d) | AxB Hex   | k  | f  | L  | a    | b    |
|-----------------|-----------|----------|-----------|----|----|----|------|------|
| Adapter (PTxPT) | PT 1/4    | PT 1/4   | 19 x 21.9 | 16 | 14 | 30 | 6.01 | 6.01 |
|                 | PT 1/4    | PT 3/8   | 19 x 21.9 | 16 | 16 | 32 | 6.35 | 6.35 |
|                 | PT 1/4    | PT 1/2   | 22 x 25.4 | 16 | 18 | 34 | 8.16 | 8.16 |
|                 | PT 3/8    | PT 1/4   | 22 x 25.4 | 18 | 14 | 32 | 6.01 | 6.01 |
|                 | PT 3/8    | PT 3/8   | 22 x 25.4 | 18 | 16 | 34 | 6.35 | 6.35 |
|                 | PT 3/8    | PT 1/2   | 22 x 25.4 | 18 | 18 | 36 | 8.16 | 8.16 |
|                 | PT 1/2    | PT 1/4   | 27 x 31.1 | 20 | 14 | 34 | 6.01 | 6.01 |
|                 | PT 1/2    | PT 3/8   | 27 x 31.1 | 20 | 16 | 36 | 6.35 | 6.35 |
|                 | PT 1/2    | PT 1/2   | 27 x 31.1 | 20 | 18 | 38 | 8.16 | 8.16 |

### Model No. | SS-AD08 Adapter (Female x Female)

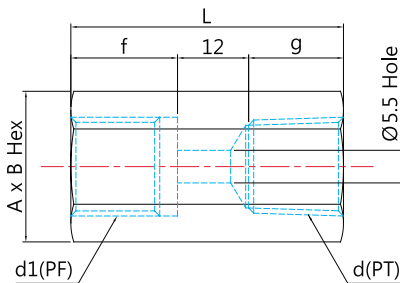
Dimensions (mm)



| Model No.       | Con'n(d1) | Con'n(d) | AxB Hex   | f  | g  | L  |
|-----------------|-----------|----------|-----------|----|----|----|
| Adapter (PFxPF) | PF 1/4    | PF 1/4   | 19 x 21,9 | 16 | 16 | 44 |
|                 | PF 1/4    | PF 3/8   | 22 x 25,4 | 16 | 18 | 46 |
|                 | PF 1/4    | PF 1/2   | 27 x 31,1 | 16 | 20 | 48 |
|                 | PF 3/8    | PF 1/4   | 22 x 25,4 | 18 | 16 | 46 |
|                 | PF 3/8    | PF 3/8   | 22 x 25,4 | 18 | 18 | 48 |
|                 | PF 3/8    | PF 1/2   | 27 x 31,1 | 18 | 20 | 50 |
|                 | PF 1/2    | PF 1/4   | 27 x 31,1 | 20 | 16 | 48 |
|                 | PF 1/2    | PF 3/8   | 27 x 31,1 | 20 | 18 | 50 |
|                 | PF 1/2    | PF 1/2   | 27 x 31,1 | 20 | 20 | 52 |

### Model No. | SS-AD09 Adapter (Female x Female)

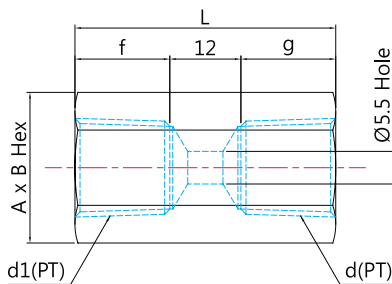
Dimensions (mm)



| Model No.       | Con'n(d1) | Con'n(d) | AxB Hex   | f  | g  | L  |
|-----------------|-----------|----------|-----------|----|----|----|
| Adapter (PFxPT) | PF 1/4    | PT 1/4   | 19 x 21,9 | 16 | 14 | 42 |
|                 | PF 1/4    | PT 3/8   | 22 x 25,4 | 16 | 16 | 44 |
|                 | PF 1/4    | PT 1/2   | 27 x 31,1 | 16 | 18 | 46 |
|                 | PF 3/8    | PT 1/4   | 22 x 25,4 | 18 | 14 | 44 |
|                 | PF 3/8    | PT 3/8   | 22 x 25,4 | 18 | 16 | 46 |
|                 | PF 3/8    | PT 1/2   | 27 x 31,1 | 18 | 18 | 48 |
|                 | PF 1/2    | PT 1/4   | 27 x 31,1 | 20 | 14 | 46 |
|                 | PF 1/2    | PT 3/8   | 27 x 31,1 | 20 | 16 | 48 |
|                 | PF 1/2    | PT 1/2   | 27 x 31,1 | 20 | 18 | 50 |

### Model No. | SS-AD10 Adapter (Female x Female)

Dimensions (mm)



| Model No.       | Con'n(d1) | Con'n(d) | AxB Hex   | f  | g  | L  |
|-----------------|-----------|----------|-----------|----|----|----|
| Adapter (PTxPT) | PT 1/4    | PT 1/4   | 19 x 21,9 | 16 | 14 | 30 |
|                 | PT 1/4    | PT 3/8   | 22 x 25,4 | 16 | 16 | 32 |
|                 | PT 1/4    | PT 1/2   | 27 x 31,1 | 16 | 18 | 34 |
|                 | PT 3/8    | PT 1/4   | 22 x 25,4 | 18 | 14 | 32 |
|                 | PT 3/8    | PT 3/8   | 22 x 25,4 | 18 | 16 | 34 |
|                 | PT 3/8    | PT 1/2   | 27 x 31,1 | 18 | 18 | 36 |
|                 | PT 1/2    | PT 1/4   | 27 x 31,1 | 20 | 14 | 34 |
|                 | PT 1/2    | PT 3/8   | 27 x 31,1 | 20 | 16 | 36 |
|                 | PT 1/2    | PT 1/2   | 27 x 31,1 | 20 | 18 | 38 |

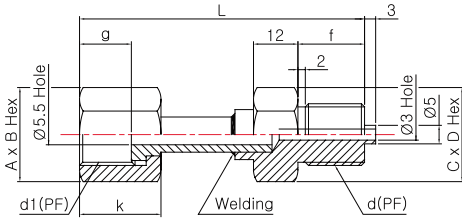


# Accessories of Pressure Gauge

## Model No. Adapter & Union Gauge

### Model No. | SS-GU01 Union Gauge (Female x Male)

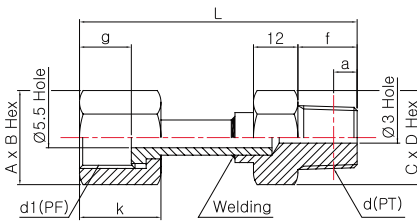
Dimensions (mm)



| Model No.             | Con'n(d1) | Con'n(d) | AxB Hex   | AxB Hex   | g  | k  | f  | L  |
|-----------------------|-----------|----------|-----------|-----------|----|----|----|----|
| Union Gauge (PF x PF) | PF 3/8    | PF 1/4   | 22 x 25.4 | 19 x 21.9 | 14 | 22 | 16 | 75 |
|                       | PF 3/8    | PF 3/8   | 22 x 25.4 | 19 x 21.9 | 14 | 22 | 18 | 77 |
|                       | PF 3/8    | PF 1/2   | 22 x 25.4 | 22 x 25.4 | 14 | 22 | 20 | 79 |
|                       | PF 1/2    | PF 1/4   | 27 x 31.1 | 19 x 21.9 | 16 | 24 | 16 | 77 |
|                       | PF 1/2    | PF 3/8   | 27 x 31.1 | 19 x 21.9 | 16 | 24 | 18 | 79 |
|                       | PF 1/2    | PF 1/2   | 27 x 31.1 | 22 x 25.4 | 16 | 24 | 20 | 81 |

### Model No. | SS-GU02 Union Gauge (Female x Male)

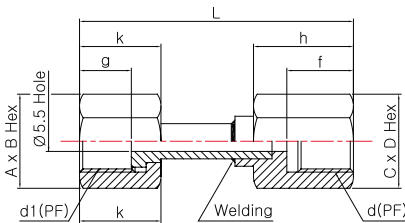
Dimensions (mm)



| Model No.             | Con'n(d1) | Con'n(d) | AxB Hex   | AxB Hex   | g  | k  | f  | a    | L  |
|-----------------------|-----------|----------|-----------|-----------|----|----|----|------|----|
| Union Gauge (PF x PT) | PF 3/8    | PT 1/4   | 22 x 25.4 | 19 x 21.9 | 14 | 22 | 14 | 6.01 | 73 |
|                       | PF 3/8    | PT 3/8   | 22 x 25.4 | 19 x 21.9 | 14 | 22 | 16 | 6.35 | 75 |
|                       | PF 3/8    | PT 1/2   | 22 x 25.4 | 22 x 25.4 | 14 | 22 | 18 | 8.16 | 77 |
|                       | PF 1/2    | PT 1/4   | 27 x 31.1 | 19 x 21.9 | 16 | 24 | 14 | 6.01 | 75 |
|                       | PF 1/2    | PT 3/8   | 27 x 31.1 | 19 x 21.9 | 16 | 24 | 16 | 6.35 | 77 |
|                       | PF 1/2    | PT 1/2   | 27 x 31.1 | 22 x 25.4 | 16 | 24 | 18 | 8.16 | 79 |

### Model No. | SS-GU03 Union Gauge (Female x Female)

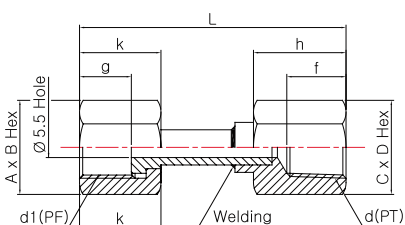
Dimensions (mm)



| Model No.             | Con'n(d1) | Con'n(d) | AxB Hex   | CxD Hex   | g  | k  | f  | h  | L  |
|-----------------------|-----------|----------|-----------|-----------|----|----|----|----|----|
| Union Gauge (PF x PF) | PF 3/8    | PF 1/4   | 22 x 25.4 | 19 x 21.9 | 14 | 22 | 16 | 25 | 74 |
|                       | PF 3/8    | PF 3/8   | 22 x 25.4 | 19 x 21.9 | 14 | 22 | 18 | 27 | 76 |
|                       | PF 3/8    | PF 1/2   | 22 x 25.4 | 22 x 25.4 | 14 | 22 | 20 | 29 | 78 |
|                       | PF 1/2    | PF 1/4   | 27 x 31.1 | 19 x 21.9 | 16 | 24 | 16 | 25 | 76 |
|                       | PF 1/2    | PF 3/8   | 27 x 31.1 | 19 x 21.9 | 16 | 24 | 18 | 27 | 78 |
|                       | PF 1/2    | PF 1/2   | 27 x 31.1 | 22 x 25.4 | 16 | 24 | 20 | 29 | 80 |

### Model No. | SS-GU04 Union Gauge (Female x Female)

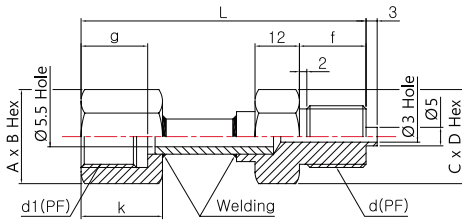
Dimensions (mm)



| Model No.             | Con'n(d1) | Con'n(d) | AxB Hex   | CxD Hex   | g  | k  | f  | h  | L  |
|-----------------------|-----------|----------|-----------|-----------|----|----|----|----|----|
| Union Gauge (PF x PT) | PF 3/8    | PT 1/4   | 22 x 25.4 | 19 x 21.9 | 14 | 22 | 14 | 23 | 72 |
|                       | PF 3/8    | PT 3/8   | 22 x 25.4 | 19 x 21.9 | 14 | 22 | 16 | 25 | 74 |
|                       | PF 3/8    | PT 1/2   | 22 x 25.4 | 22 x 25.4 | 14 | 22 | 18 | 27 | 76 |
|                       | PF 1/2    | PT 1/4   | 27 x 31.1 | 19 x 21.9 | 16 | 24 | 14 | 23 | 74 |
|                       | PF 1/2    | PT 3/8   | 27 x 31.1 | 19 x 21.9 | 16 | 24 | 16 | 25 | 76 |
|                       | PF 1/2    | PT 1/2   | 27 x 31.1 | 22 x 25.4 | 16 | 24 | 18 | 27 | 78 |

## Model No. | SS-GU05 Union Gauge (Female x Male)

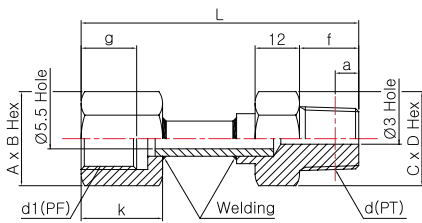
Dimensions (mm)



| Model No.             | Con'n(d1) | Con'n(d) | AxB Hex   | AxB Hex   | g  | k  | f  | L  |
|-----------------------|-----------|----------|-----------|-----------|----|----|----|----|
| Union Gauge (PF x PF) | PF 3/8    | PF 1/4   | 22 x 25,4 | 19 x 21,9 | 18 | 22 | 16 | 75 |
|                       | PF 3/8    | PF 3/8   | 22 x 25,4 | 19 x 21,9 | 18 | 22 | 18 | 77 |
|                       | PF 3/8    | PF 1/2   | 22 x 25,4 | 22 x 25,4 | 18 | 22 | 20 | 79 |
|                       | PF 1/2    | PF 1/4   | 27 x 31,1 | 19 x 21,9 | 20 | 24 | 16 | 77 |
|                       | PF 1/2    | PF 3/8   | 27 x 31,1 | 19 x 21,9 | 20 | 24 | 18 | 79 |
|                       | PF 1/2    | PF 1/2   | 27 x 31,1 | 22 x 25,4 | 20 | 24 | 20 | 81 |

## Model No. | SS-GU06 Union Gauge (Female x Male)

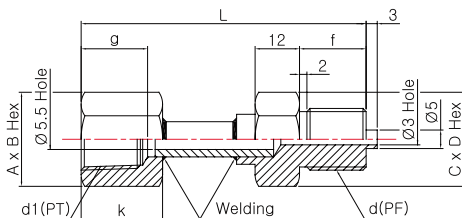
Dimensions (mm)



| Model No.             | Con'n(d1) | Con'n(d) | AxB Hex   | AxB Hex   | g  | k  | f  | L  |
|-----------------------|-----------|----------|-----------|-----------|----|----|----|----|
| Union Gauge (PF x PT) | PF 3/8    | PT 1/4   | 22 x 25,4 | 19 x 21,9 | 18 | 22 | 14 | 73 |
|                       | PF 3/8    | PT 3/8   | 22 x 25,4 | 19 x 21,9 | 18 | 22 | 16 | 75 |
|                       | PF 3/8    | PT 1/2   | 22 x 25,4 | 22 x 25,4 | 18 | 22 | 18 | 77 |
|                       | PF 1/2    | PT 1/4   | 27 x 31,1 | 19 x 21,9 | 20 | 24 | 14 | 75 |
|                       | PF 1/2    | PT 3/8   | 27 x 31,1 | 19 x 21,9 | 20 | 24 | 16 | 77 |
|                       | PF 1/2    | PT 1/2   | 27 x 31,1 | 22 x 25,4 | 20 | 24 | 18 | 79 |

## Model No. | SS-GU07 Union Gauge (Female x Male)

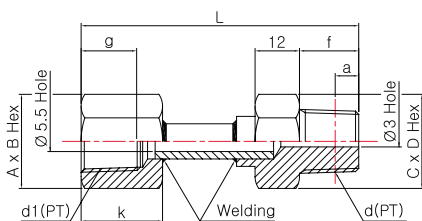
Dimensions (mm)



| Model No.             | Con'n(d1) | Con'n(d) | AxB Hex   | AxB Hex   | g  | k  | f  | L  |
|-----------------------|-----------|----------|-----------|-----------|----|----|----|----|
| Union Gauge (PT x PF) | PT 3/8    | PF 1/4   | 22 x 25,4 | 19 x 21,9 | 16 | 22 | 14 | 75 |
|                       | PT 3/8    | PF 3/8   | 22 x 25,4 | 19 x 21,9 | 16 | 22 | 16 | 77 |
|                       | PT 3/8    | PF 1/2   | 22 x 25,4 | 22 x 25,4 | 16 | 22 | 18 | 79 |
|                       | PT 1/2    | PF 1/4   | 27 x 31,1 | 19 x 21,9 | 18 | 24 | 14 | 77 |
|                       | PT 1/2    | PF 3/8   | 27 x 31,1 | 19 x 21,9 | 18 | 24 | 16 | 79 |
|                       | PT 1/2    | PF 1/2   | 27 x 31,1 | 22 x 25,4 | 18 | 24 | 18 | 81 |

## Model No. | SS-GU08 Union Gauge (Female x Male)

Dimensions (mm)



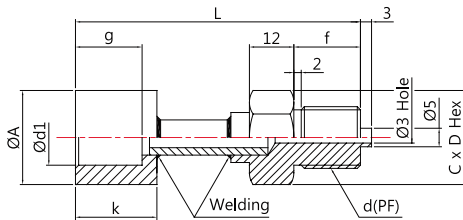
| Model No.             | Con'n(d1) | Con'n(d) | AxB Hex   | AxB Hex   | g  | k  | f  | L  |
|-----------------------|-----------|----------|-----------|-----------|----|----|----|----|
| Union Gauge (PT x PT) | PT 3/8    | PT 1/4   | 22 x 25,4 | 19 x 21,9 | 16 | 22 | 14 | 73 |
|                       | PT 3/8    | PT 3/8   | 22 x 25,4 | 19 x 21,9 | 16 | 22 | 16 | 75 |
|                       | PT 3/8    | PT 1/2   | 22 x 25,4 | 22 x 25,4 | 16 | 22 | 18 | 77 |
|                       | PT 1/2    | PT 1/4   | 27 x 31,1 | 19 x 21,9 | 18 | 24 | 14 | 75 |
|                       | PT 1/2    | PT 3/8   | 27 x 31,1 | 19 x 21,9 | 18 | 24 | 16 | 77 |
|                       | PT 1/2    | PT 1/2   | 27 x 31,1 | 22 x 25,4 | 18 | 24 | 18 | 79 |

# Accessories of Pressure Gauge

## Model No. Adapter & Union Gauge

### Model No. | SS-GU09 Union Gauge (Pipe x Male)

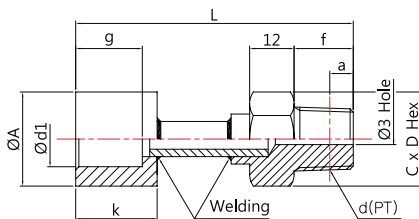
Dimensions (mm)



| Model No.                  | Con'n(d1) | Con'n(d)  | AxB Hex   | g  | k  | f  | L  |
|----------------------------|-----------|-----------|-----------|----|----|----|----|
| Union Gauge<br>(Pipe x PF) | Ø6        | PF 1/4    | 19 x 21,9 | 8  | 15 | 16 | 53 |
|                            | Ø6        | PF 3/8    | 19 x 21,9 | 8  | 15 | 18 | 55 |
|                            | Ø6        | PF 1/2    | 22 x 25,4 | 8  | 15 | 20 | 57 |
|                            | Ø8        | PF 1/4    | 19 x 21,9 | 8  | 15 | 16 | 53 |
|                            | Ø8        | PF 3/8    | 19 x 21,9 | 8  | 15 | 18 | 55 |
|                            | Ø8        | PF 1/2    | 22 x 25,4 | 8  | 15 | 20 | 57 |
|                            | Ø10       | PF 1/4    | 19 x 21,9 | 8  | 18 | 16 | 53 |
|                            | Ø10       | PF 3/8    | 19 x 21,9 | 8  | 18 | 18 | 55 |
|                            | Ø10       | PF 1/2    | 22 x 25,4 | 8  | 18 | 20 | 57 |
|                            | 1/8B      | PF 1/4    | 19 x 21,9 | 8  | 18 | 16 | 53 |
|                            | 1/8B      | PF 3/8    | 19 x 21,9 | 8  | 18 | 18 | 54 |
|                            | 1/8B      | PF 1/2    | 22 x 25,4 | 8  | 18 | 20 | 57 |
|                            | 3/8B      | PF 1/4    | 19 x 21,9 | 10 | 21 | 16 | 55 |
|                            | 3/8B      | PF 3/8    | 19 x 21,9 | 10 | 21 | 18 | 57 |
|                            | 3/8B      | PF 1/2    | 22 x 25,4 | 10 | 21 | 20 | 59 |
|                            | 1/2B      | PF 1/4    | 19 x 21,9 | 10 | 21 | 16 | 55 |
|                            | 1/2B      | PF 3/8    | 19 x 21,9 | 10 | 21 | 18 | 57 |
|                            | 1/2B      | PF 1/2    | 22 x 25,4 | 10 | 21 | 20 | 59 |
|                            | 3/4B      | PF 1/4    | 19 x 21,9 | 10 | 24 | 16 | 58 |
|                            | 3/4B      | PF 3/8    | 19 x 21,9 | 10 | 24 | 18 | 60 |
| 3/4B                       | PF 1/2    | 22 x 25,4 | 10        | 24 | 20 | 62 |    |

### Model No. | SS-GU10 Union Gauge (Pipe x Male)

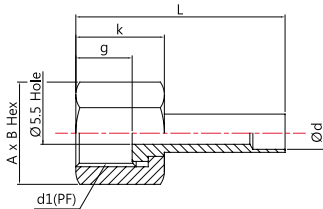
Dimensions (mm)



| Model No.                  | Con'n(d1) | Con'n(d)  | AxB Hex   | g  | k  | f  | L  |
|----------------------------|-----------|-----------|-----------|----|----|----|----|
| Union Gauge<br>(Pipe x PT) | Ø6        | PT 1/4    | 19 x 21,9 | 8  | 15 | 14 | 51 |
|                            | Ø6        | PT 3/8    | 19 x 21,9 | 8  | 15 | 16 | 53 |
|                            | Ø6        | PT 1/2    | 22 x 25,4 | 8  | 15 | 18 | 55 |
|                            | Ø8        | PT 1/4    | 19 x 21,9 | 8  | 15 | 14 | 51 |
|                            | Ø8        | PT 3/8    | 19 x 21,9 | 8  | 15 | 16 | 53 |
|                            | Ø8        | PT 1/2    | 22 x 25,4 | 8  | 15 | 18 | 55 |
|                            | Ø10       | PT 1/4    | 19 x 21,9 | 8  | 18 | 14 | 51 |
|                            | Ø10       | PT 3/8    | 19 x 21,9 | 8  | 18 | 16 | 53 |
|                            | Ø10       | PT 1/2    | 22 x 25,4 | 8  | 18 | 18 | 55 |
|                            | 1/8B      | PT 1/4    | 19 x 21,9 | 8  | 18 | 14 | 51 |
|                            | 1/8B      | PT 3/8    | 19 x 21,9 | 8  | 18 | 16 | 53 |
|                            | 1/8B      | PT 1/2    | 22 x 25,4 | 8  | 18 | 18 | 55 |
|                            | 3/8B      | PT 1/4    | 19 x 21,9 | 10 | 21 | 14 | 53 |
|                            | 3/8B      | PT 3/8    | 19 x 21,9 | 10 | 21 | 16 | 55 |
|                            | 3/8B      | PT 1/2    | 22 x 25,4 | 10 | 21 | 18 | 57 |
|                            | 1/2B      | PT 1/4    | 19 x 21,9 | 10 | 21 | 14 | 53 |
|                            | 1/2B      | PT 3/8    | 19 x 21,9 | 10 | 21 | 16 | 55 |
|                            | 1/2B      | PT 1/2    | 22 x 25,4 | 10 | 21 | 18 | 57 |
|                            | 3/4B      | PT 1/4    | 19 x 21,9 | 10 | 24 | 14 | 56 |
|                            | 3/4B      | PT 3/8    | 19 x 21,9 | 10 | 24 | 16 | 58 |
| 3/4B                       | PT 1/2    | 22 x 25,4 | 10        | 24 | 18 | 60 |    |

## Model No. | SS-GU11 Union Gauge (Female x Pipe)

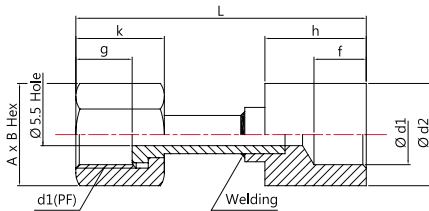
Dimensions (mm)



| Model No.               | Con'n(d1) | Con'n(d) | AxB Hex   | g  | k  | L  |
|-------------------------|-----------|----------|-----------|----|----|----|
| Union Gauge (PF x Pipe) | PF 3/8    | Ø6       | 22 x 25,4 | 14 | 22 | 52 |
|                         | PF 3/8    | Ø8       | 22 x 25,4 | 14 | 22 | 52 |
|                         | PF 3/8    | Ø10      | 22 x 25,4 | 14 | 22 | 52 |
|                         | PF 3/8    | 1/8B     | 22 x 25,4 | 14 | 22 | 52 |
|                         | PF 1/2    | Ø6       | 27 x 31,1 | 16 | 24 | 54 |
|                         | PF 1/2    | Ø8       | 27 x 31,1 | 16 | 24 | 54 |
|                         | PF 1/2    | Ø10      | 27 x 31,1 | 16 | 24 | 54 |
|                         | PF 1/2    | 1/8B     | 27 x 31,1 | 16 | 24 | 54 |

## Model No. | SS-GU12 Union Gauge (Female x Pipe)

Dimensions (mm)



| Model No.               | Con'n(d1) | Con'n(d) | AxB Hex   | Ød2  | g  | k  | f  | h  | L  |
|-------------------------|-----------|----------|-----------|------|----|----|----|----|----|
| Union Gauge (PF x Pipe) | PF 3/8    | 3/8B     | 22 x 25,4 | 26   | 14 | 22 | 10 | 21 | 69 |
|                         | PF 3/8    | 1/2B     | 22 x 25,4 | 31,5 | 14 | 22 | 10 | 21 | 69 |
|                         | PF 3/8    | 3/4B     | 22 x 25,4 | 40   | 14 | 22 | 13 | 24 | 72 |
|                         | PF 1/2    | 3/8B     | 27 x 31,1 | 26   | 16 | 24 | 10 | 21 | 71 |
|                         | PF 1/2    | 1/2B     | 27 x 31,1 | 31,5 | 16 | 24 | 10 | 24 | 71 |
|                         | PF 1/2    | 3/4B     | 27 x 31,1 | 40   | 16 | 24 | 13 | 24 | 74 |

# Accessories of Pressure Gauge

## Model No. SS-DP Dampener Series



Dampener

### Summary

Those accessories' performance and lifespan are dependent on selection of the gauge, correct installation and using method. Therefore, before installing a pressure gauge, it is important to select a proper accessory for purpose of use. A Dampener (kind of a needle valve) which is a joint instrument of variable type is attached with a pressure gauge in a place where the pressure pulsation works, and used for the prevention of damage by pulsation. It is used by controlling the indicating valve of the pressure gauge after installing it.

### Purpose of Use

- A place where the pressure pulsation works
- Where oil should not go in.
- Overpressure and removal of bubble
- For air vent plug

### Production Specification

- ▶ Materials
  - Brass
  - Stainless Steel
- ▶ Connection

| Material  | Gauge  | Pipe   |
|-----------|--------|--------|
| BS<br>STS | PF 1/4 | PF 1/4 |
|           | PF 3/8 | PF 3/8 |
|           | PF 1/2 | PF 1/2 |

- ▶ Test Pressure
  - 30 MPa
- ▶ Maximum Working Pressure
  - 20 MPa
- ▶ Maximum Working Temperature
  - 200 °C

### Product Specification

#### + Body

- Brass · · · BSBM
- Steel · · · STS 316

#### + Stopper

- Brass · · · STS 316
- Steel · · · STS 316

#### + Gasket-Outlet

- Brass · · · Teflon
- St, St · · · Teflon

#### + Joint

- Brass · · · SS41 (Ni-plating)
- Steel · · · STS 316

#### + Washer

- Brass · · · BSBM
- St, St · · · STS 316

#### + Retaining screw

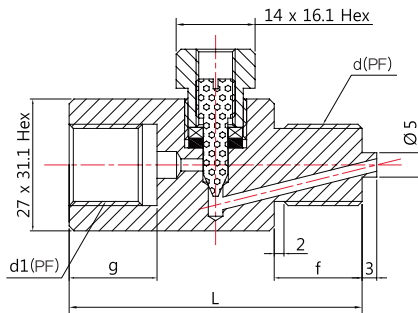
- Brass · · · SS41 (Ni-plating)
- St, St · · · SS41 (Ni-plating)

#### + Type

- PF(Male) x PF(Male)
- PF(Male) x PT(Female)
- PT(Female) x PF(Male)
- PT(Female) x PT(Female)

### Model No. | SS-DP01 Dampener (Female x Male)

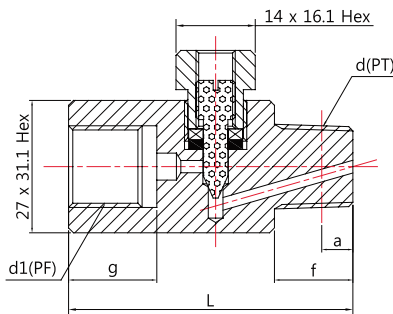
Dimensions (mm)



| Model No.          | Con'n(d1) | Con'n(d) | g  | k  | L  |
|--------------------|-----------|----------|----|----|----|
| Dampener (PF x PF) | PF 1/4    | PF 1/4   | 16 | 16 | 56 |
|                    | PF 1/4    | PF 3/8   | 16 | 18 | 58 |
|                    | PF 1/4    | PF 1/2   | 16 | 20 | 60 |
|                    | PF 3/8    | PF 1/4   | 18 | 16 | 58 |
|                    | PF 3/8    | PF 3/8   | 18 | 18 | 60 |
|                    | PF 3/8    | PF 1/2   | 18 | 20 | 62 |
|                    | PF 1/2    | PF 1/4   | 20 | 16 | 60 |
|                    | PF 1/2    | PF 3/8   | 20 | 18 | 62 |
| PF 1/2             | PF 1/2    | 20       | 20 | 64 |    |

### Model No. | SS-DP02 Dampener (Female x Male)

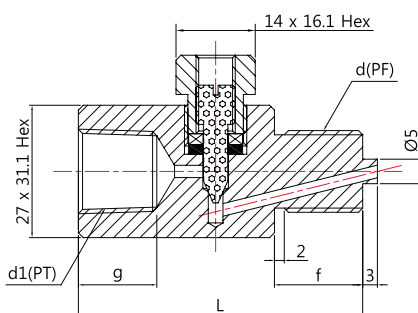
Dimensions (mm)



| Model No.          | Con'n(d1) | Con'n(d) | g  | k  | L  |
|--------------------|-----------|----------|----|----|----|
| Dampener (PF x PT) | PF 1/4    | PT 1/4   | 16 | 16 | 54 |
|                    | PF 1/4    | PT 3/8   | 16 | 18 | 56 |
|                    | PF 1/4    | PT 1/2   | 16 | 20 | 58 |
|                    | PF 3/8    | PT 1/4   | 18 | 16 | 56 |
|                    | PF 3/8    | PT 3/8   | 18 | 18 | 58 |
|                    | PF 3/8    | PT 1/2   | 18 | 20 | 60 |
|                    | PF 1/2    | PT 1/4   | 20 | 16 | 58 |
|                    | PF 1/2    | PT 3/8   | 20 | 18 | 60 |
| PF 1/2             | PT 1/2    | 20       | 20 | 62 |    |

### Model No. | SS-DP03 Dampener (Female x Male)

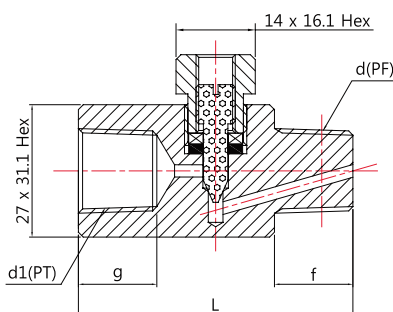
Dimensions (mm)



| Model No.          | Con'n(d1) | Con'n(d) | g  | k  | L  |
|--------------------|-----------|----------|----|----|----|
| Dampener (PT x PF) | PT 1/4    | PF 1/4   | 14 | 16 | 54 |
|                    | PT 1/4    | PF 3/8   | 14 | 18 | 56 |
|                    | PT 1/4    | PF 1/2   | 14 | 20 | 58 |
|                    | PT 3/8    | PF 1/4   | 16 | 16 | 56 |
|                    | PT 3/8    | PF 3/8   | 16 | 18 | 58 |
|                    | PT 3/8    | PF 1/2   | 16 | 20 | 60 |
|                    | PT 1/2    | PF 1/4   | 18 | 16 | 58 |
|                    | PT 1/2    | PF 3/8   | 18 | 18 | 60 |
| PT 1/2             | PF 1/2    | 18       | 20 | 62 |    |

### Model No. | SS-DP04 Dampener (Female x Male)

Dimensions (mm)



| Model No.          | Con'n(d1) | Con'n(d) | g  | k  | L  |
|--------------------|-----------|----------|----|----|----|
| Dampener (PT x PT) | PT 1/4    | PT 1/4   | 14 | 14 | 56 |
|                    | PT 1/4    | PT 3/8   | 14 | 16 | 58 |
|                    | PT 1/4    | PT 1/2   | 14 | 18 | 60 |
|                    | PT 3/8    | PT 1/4   | 16 | 14 | 58 |
|                    | PT 3/8    | PT 3/8   | 16 | 16 | 60 |
|                    | PT 3/8    | PT 1/2   | 16 | 18 | 62 |
|                    | PT 1/2    | PT 1/4   | 18 | 14 | 60 |
|                    | PT 1/2    | PT 3/8   | 18 | 16 | 62 |
| PT 1/2             | PT 1/2    | 18       | 18 | 64 |    |

# Accessories of Pressure Gauge

## Model No. SS-SP Seal Pot Series



Seal Pot

### Summary

This accessory is used for measuring the steam pressure which is easy to be condensed in room temperature. It is also used for the protection of the instrument by the prevention of the fluid influx which is produced during the producing process inside the instrument, or used for reducing the number of errors of hydraulic head by providing the constant hydraulic head.

### Purpose of Use

- Liquid which has high viscosity
- To prevent high temperature liquid from contacting the instrument directly
- When starting operation, and when preventing the corrosion from corrosive liquid and the liquid with different specific gravity during a normal operation
- When the high and low axis have different liquid to each other. When making the head pressure same with the same actual liquid.

### Production Specification

- ▶ Materials
  - Steel (Ni-plating)
  - Stainless Steel
- ▶ Connection

| Material | Gauge  | Pipe   |
|----------|--------|--------|
| STS      | PF 3/8 | PF 3/8 |
|          | PF 1/2 | PF 1/2 |

- ▶ Test Pressure
  - 20 MPa
- ▶ Tank Capacity
  - 600 cc
- ▶ Maximum Working Pressure
  - 15 MPa
- ▶ Maximum Working Temperature
  - 350 °C

### Product Specification

#### + Body

- Brass · · · BSBM
- Steel · · · STS 316

#### + Stopper

- Brass · · · STS 316
- Steel · · · STS 316

#### + Gasket-Outlet

- Brass · · · Teflon
- St, St · · · Teflon

#### + Joint

- Brass · · · SS41 (Ni-plating)
- Steel · · · STS 316

#### + Washer

- Brass · · · BSBM
- St, St · · · STS 316

#### + Retaining screw

- Brass · · · SS41 (Ni-plating)
- St, St · · · SS41 (Ni-plating)

#### + Type

- PF(Male) x PF(Male)
- PF(Male) x PT(Female)
- PT(Female) x PF(Male)
- PT(Female) x PT(Female)

Pressure Gauge

Differential Pressure Gauge & Switch

Accessories of Pressure Gauge

Thermometer & Thermometer Switch

Thermocouple & R.T.D

Thermowell

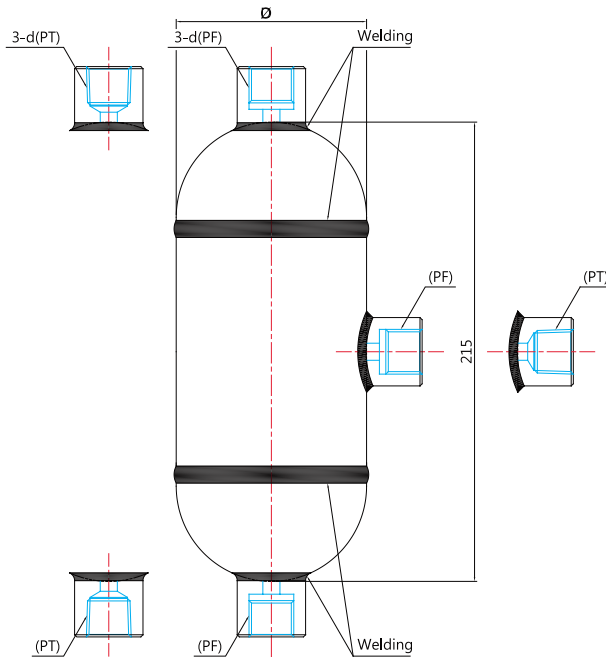
Transmitter

Indicator etc.

Technical data

### Model No. | SS-SP01 Seal Pot (3-WAY TYPE)

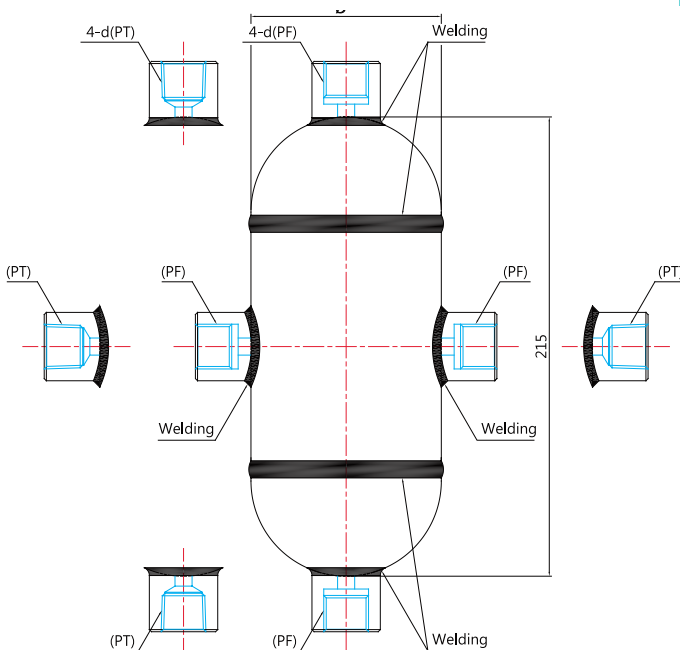
Dimensions (mm)



| Model No. | ØD             | 3-d          |
|-----------|----------------|--------------|
| Seal Pot  | 3" PIPE SCH 80 | PF 3/8       |
|           |                | NPT & PT 3/8 |
|           |                | PF 1/2       |
|           | 4" PIPE SCH 80 | NPT & PT 1/2 |
|           |                | PF 3/8       |
|           |                | NPT & PT 3/8 |
|           |                | PF 1/2       |
|           |                | NPT & PT 1/2 |

### Model No. | SS-SP02 Seal Pot (4-WAY TYPE)

Dimensions (mm)



| Model No. | ØD             | 4-d          |
|-----------|----------------|--------------|
| Seal Pot  | 3" PIPE SCH 80 | PF 3/8       |
|           |                | NPT & PT 3/8 |
|           |                | PF 1/2       |
|           | 4" PIPE SCH 80 | NPT & PT 1/2 |
|           |                | PF 3/8       |
|           |                | NPT & PT 3/8 |
|           |                | PF 1/2       |
|           |                | NPT & PT 1/2 |

Pressure Gauge

Differential Pressure Gauge & Switch

Accessories of Pressure Gauge

Thermometer & Thermometer Switch

Thermocouple & R.T.D

Thermowell

Transmitter

Indicator etc

Technical data



# Accessories of Pressure Gauge

## Model No. SS-TS Tank Syphon Series



Tank Syphon

### Summary

Those accessories' performance and lifespan are dependent on selection of gauge, correct installation and using method. Therefore, before installing a pressure gauge, it is important to select a proper accessories for purpose of use. Tank Syphon is a apparatus for radiation of heat and it is used in high temperature.

### Purpose of Use

- For protection against heat -When measuring high temperature steam
- When preventing high pressure and pulsatory motion
- When inspecting the performance of pressure gauge for fueling

### Production Specification

- ▶ Materials
  - Steel (Ni-plating)
  - Stainless Steel
- ▶ Connection

| Material | Gauge  | Pipe   |
|----------|--------|--------|
| STS      | PF 3/8 | PF 3/8 |
|          | PF 1/2 | PF 1/2 |

- ▶ Test Pressure
  - 20 MPa
- ▶ Tank Capacity
  - 120 cc
- ▶ Maximum Working Pressure
  - 15 MPa
- ▶ Maximum Working Temperature
  - 350 °C

### Product Specification

#### + Body

- Steel · · · SS41 (Ni-plating)
- St, St · · · STS 316

#### + Joint

- Brass · · · SS41(Ni-plating)
- St, St · · · STS 316

#### + Cooling effect

- Tank Syphon's cooling effect is a little bit less than Coil Pipesyphon, therefore, when you try to measure high temperature steam, you need to install it in a straight pipe to reduce the heat effect.

#### + Joint

- Steel · · · SS41 (Ni-plating)
- St, St · · · STS 316

#### + Pipe-Inlet

- Steel · · · STS 316TP
- St, St · · · STS 316TP

Pressure Gauge

Differential Pressure Gauge & Switch

Accessories of Pressure Gauge

Thermometer & Thermometer Switch

Thermocouple & R.T.D

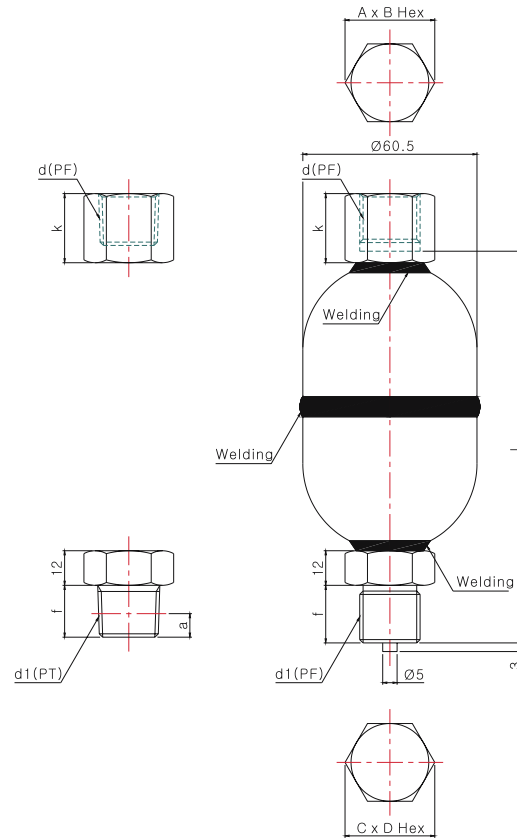
Thermowell

Transmitter

Indicator, etc.

Technical data

### Model No. | SS-TS Tank Syphon (Female x Male)



#### Dimensions (mm)

| Model No.             | Con'n(d1) | Con'n(d) | AxB Hex   | CxD Hex   | k  | f  | L    | e   |
|-----------------------|-----------|----------|-----------|-----------|----|----|------|-----|
| Tank Syphon (PF x PT) | PF 3/8    | PT 3/8   | 22 x 25,4 | 22 x 25,4 | 22 | 18 | -    | 134 |
|                       | PF 3/8    | PT 1/2   | 27 x 31,1 | 27 x 31,1 | 24 | 20 | -    | 136 |
|                       | PF 1/2    | PT 3/8   | 27 x 31,1 | 27 x 31,1 | 24 | 18 | -    | 134 |
|                       | PF 1/2    | PT 1/2   | 27 x 31,1 | 27 x 31,1 | 24 | 20 | -    | 136 |
|                       | PF 3/8    | PT 3/8   | 22 x 25,4 | 22 x 25,4 | 22 | 16 | 6,35 | 132 |
|                       | PF 3/8    | PT 1/2   | 27 x 31,1 | 27 x 31,1 | 24 | 18 | 8,16 | 134 |
|                       | PF 1/2    | PT 3/8   | 27 x 31,1 | 27 x 31,1 | 24 | 16 | 6,35 | 132 |
|                       | PF 1/2    | PT 1/2   | 27 x 31,1 | 27 x 31,1 | 24 | 18 | 8,16 | 134 |
|                       | PF 3/8    | PT 3/8   | 22 x 25,4 | 22 x 25,4 | 22 | 18 | -    | 134 |
|                       | PF 3/8    | PT 1/2   | 27 x 31,1 | 27 x 31,1 | 24 | 20 | -    | 136 |
|                       | PF 1/2    | PT 3/8   | 27 x 31,1 | 27 x 31,1 | 24 | 18 | -    | 134 |
|                       | PF 1/2    | PT 1/2   | 27 x 31,1 | 27 x 31,1 | 24 | 20 | -    | 136 |
|                       | PF 3/8    | PT 3/8   | 22 x 25,4 | 22 x 25,4 | 22 | 16 | 6,35 | 132 |
|                       | PF 3/8    | PT 1/2   | 27 x 31,1 | 27 x 31,1 | 24 | 18 | 8,16 | 134 |
|                       | PF 1/2    | PT 3/8   | 27 x 31,1 | 27 x 31,1 | 24 | 16 | 6,35 | 132 |
|                       | PF 1/2    | PT 1/2   | 27 x 31,1 | 27 x 31,1 | 24 | 18 | 8,16 | 134 |

Pressure Gauge

Differential Pressure Gauge & Switch

Accessories of Pressure Gauge

Thermometer & Thermometer Switch

Thermocouple & R.T.D

Thermowell

Transmitter

Indicator etc

Technical data